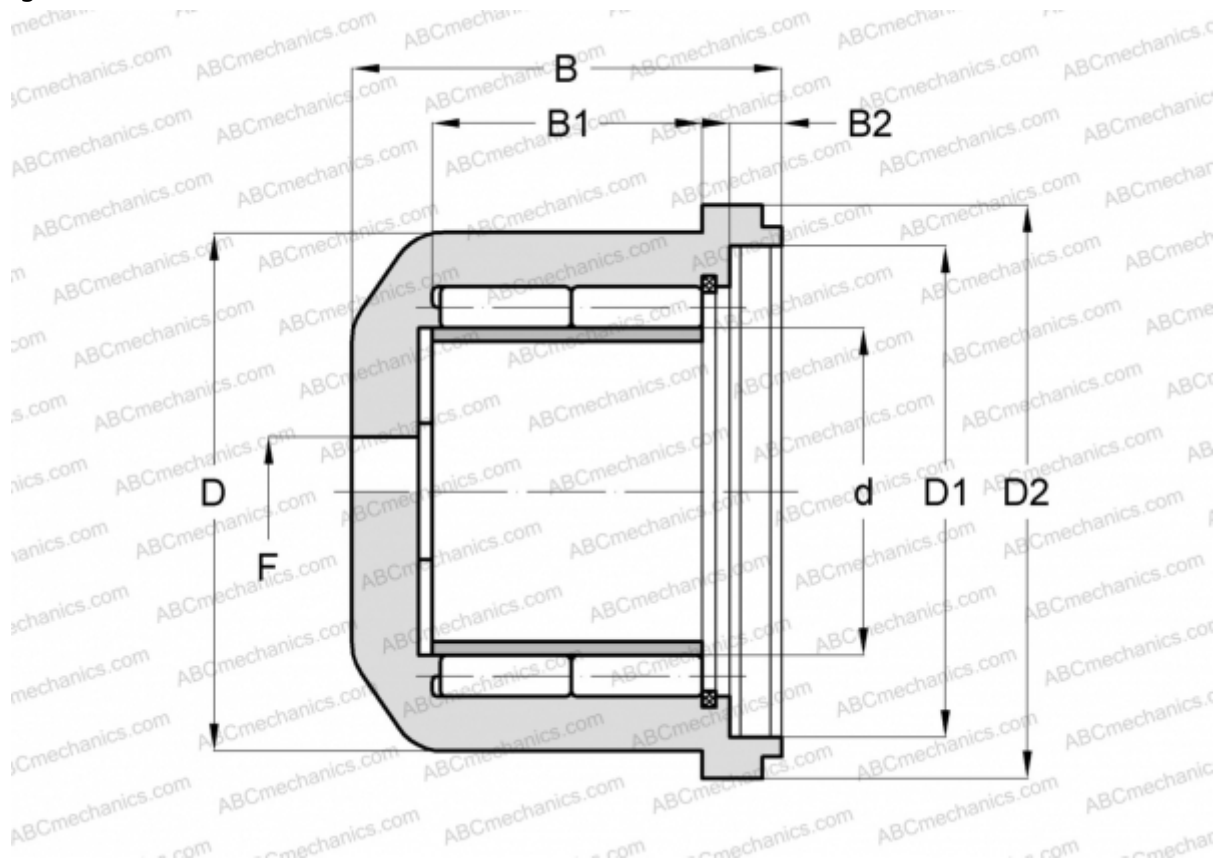


CPM 2584 CPM

Cylindrical roller bearings

TYPE: Roller bearings, Cylindrical roller bearings, Double row, Cardan shaft bearing, CPM production, With flange



Technical specification

DIMENSIONS, MM

d	68,700
D	110,000
D1	100,000
D2	122,000
B	90,000
B1	55,500
B2	9,500

MANUFACTURER

[CPM](#)