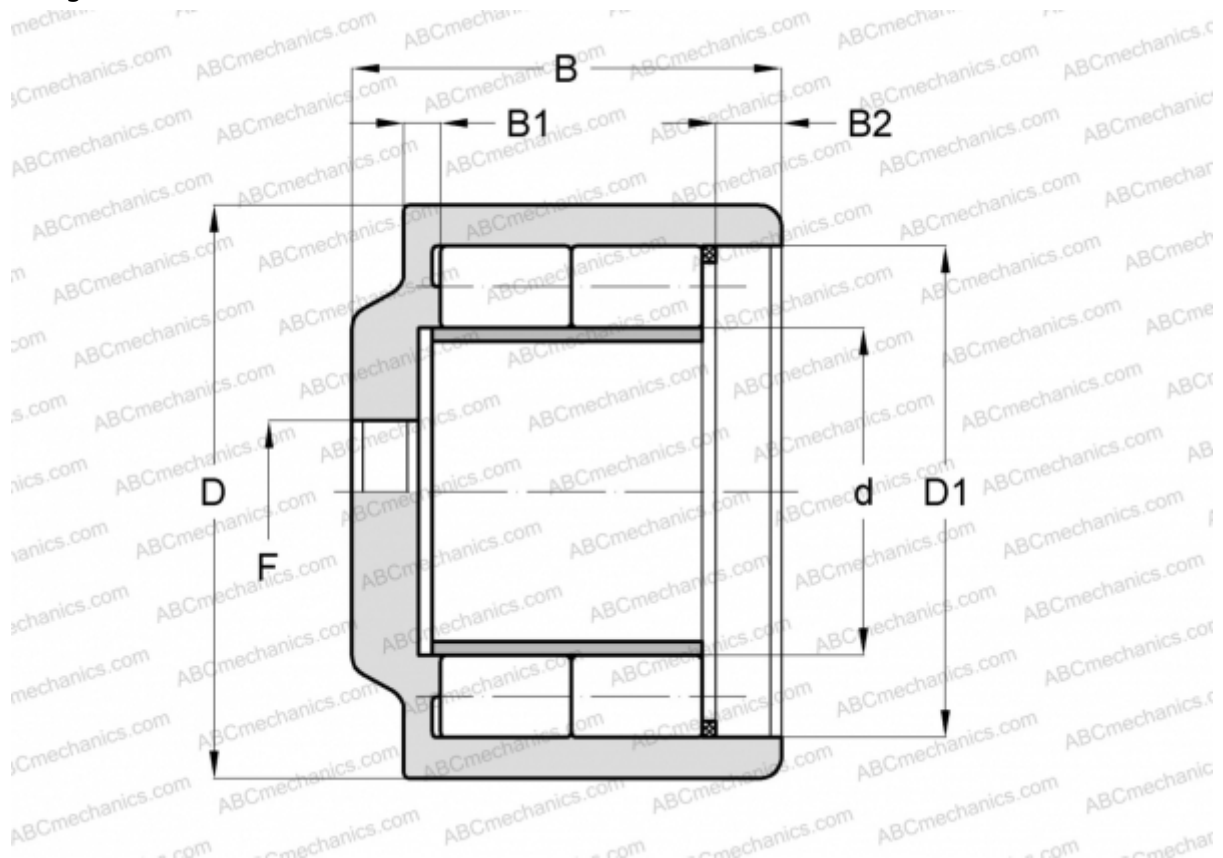


CPM 2689 CPM

Cylindrical roller bearings

TYPE: Roller bearings, Cylindrical roller bearings, Double row, Cardan shaft bearing, CPM production, Without flange



Technical specification

DIMENSIONS, MM

d	49,630
D	72,000
D1	63,000
B	52,000
B1	8,000
B2	11,000

MANUFACTURER [CPM](#)