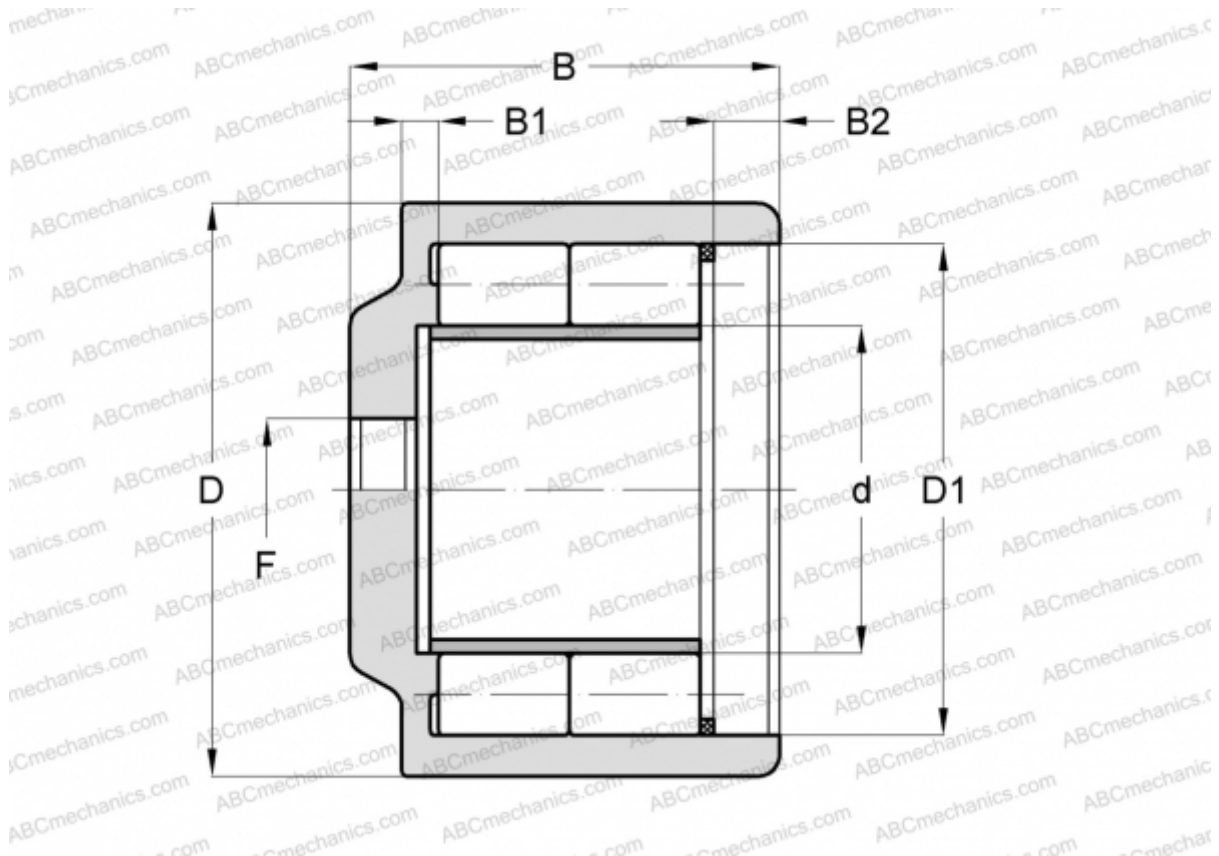


## CPM 2749 CPM

Cylindrical roller bearings

TYPE: Roller bearings, Cylindrical roller bearings, Double row, Cardan shaft bearing, CPM production, Without flange



### Technical specification

#### DIMENSIONS, MM

d	48,920
D	83,000
D1	70,920
B	56,000
B1	5,700
B2	8,800
F	M18 x 1,5

#### MANUFACTURER

[CPM](#)