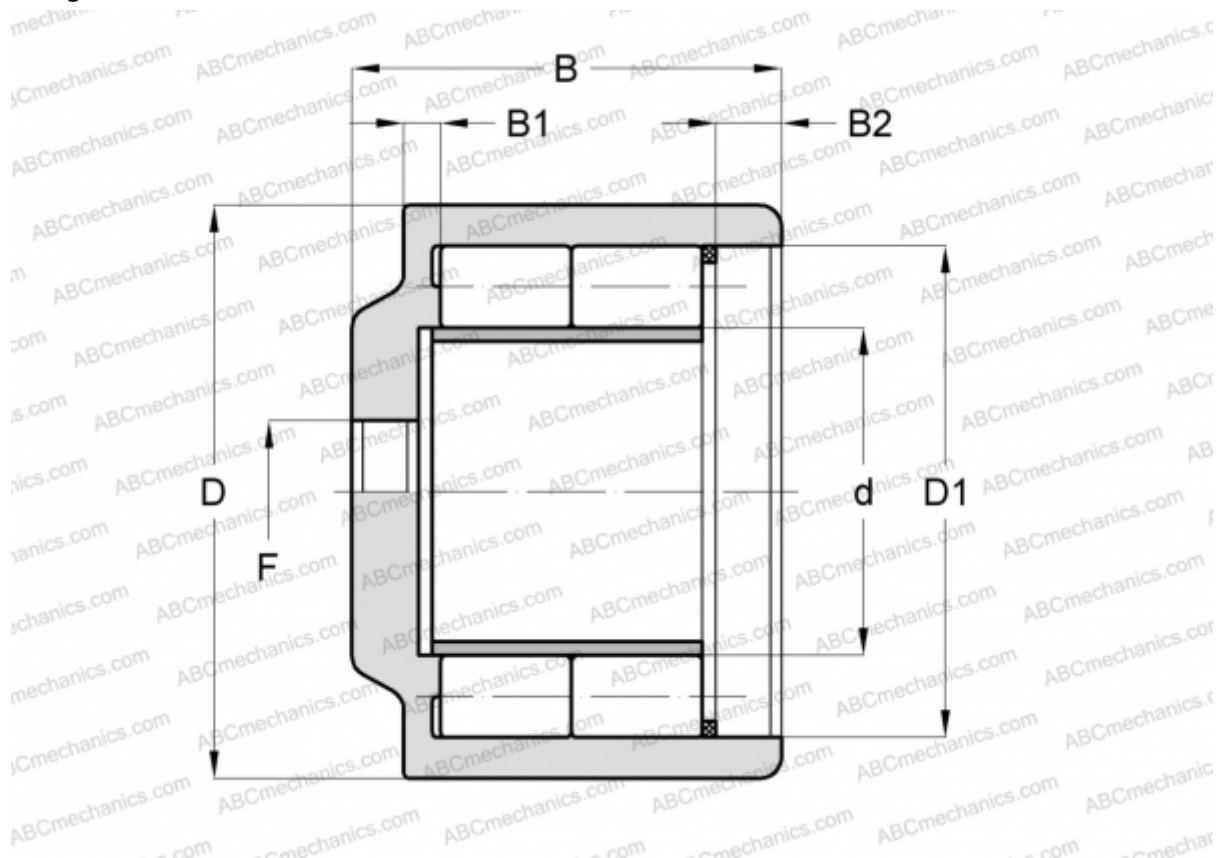


CPM 2748 CPM

Cylindrical roller bearings

TYPE: Roller bearings, Cylindrical roller bearings, Double row, Cardan shaft bearing, CPM production, Without flange



Technical specification

DIMENSIONS, MM

d	66,040
D	110,000
D1	92,040
B	77,000
B1	7,700
B2	10,000
F	M22 x 1,5

MANUFACTURER

[CPM](#)