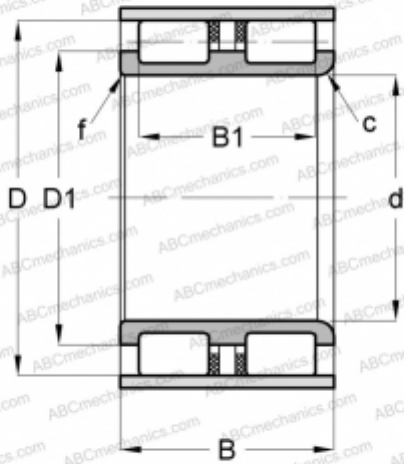


## CPM 2703 CPM

Cylindrical roller bearings

TYPE: Roller bearings, Cylindrical roller bearings, Double row, Without outer ring, CPM production, type A, 2 flange ring, 1 locking ring



### Technical specification

#### DIMENSIONS, MM

d	80,000
D	111,760
D1	93,000
B	62,000
B1	52,000
f	1,000
c	4,000

#### MANUFACTURER

[CPM](#)