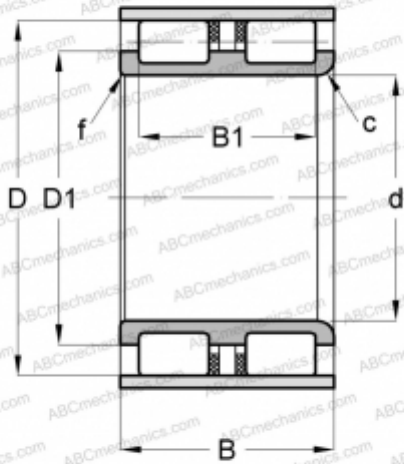


CPM 2682 CPM

Cylindrical roller bearings

TYPE: Roller bearings, Cylindrical roller bearings, Double row, Without outer ring, CPM production, type A, 2 flange ring, 1 locking ring



Technical specification

DIMENSIONS, MM

d	85,000
D	121,440
D1	100,000
B	60,000
B1	49,000
f	1,000
c	4,000

MANUFACTURER

[CPM](#)