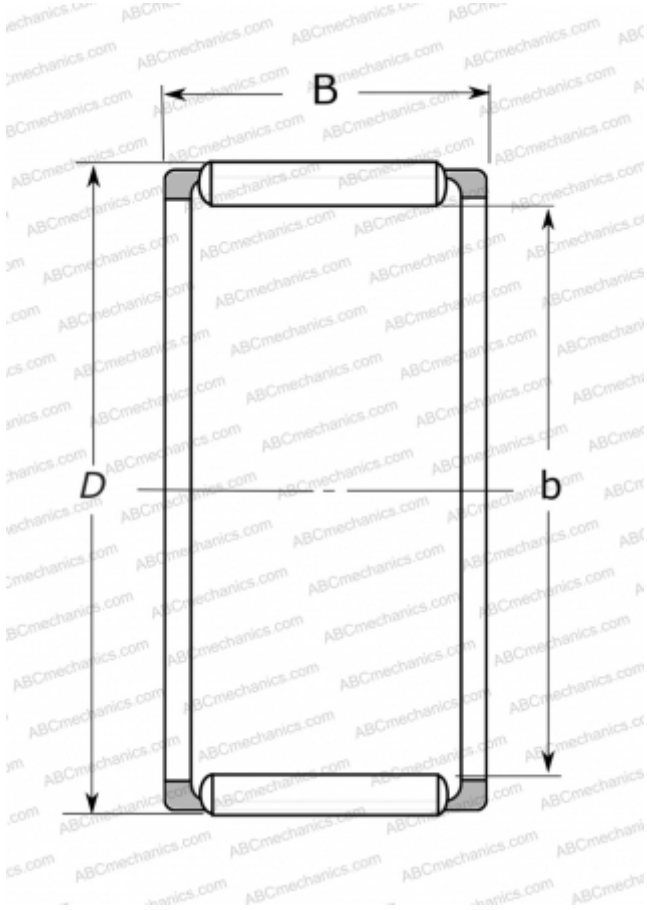


FWJ-172113 NSK

Needle roller and cage assemblies

TYPE: Roller bearings, Needle, Single row, Needle roller and cage assemblies, type FWJ, FWF (NSK)



Technical specification

DIMENSIONS, MM

d	17,000
D	21,000
B	13,000

WEIGHT, KG

0,006

MANUFACTURER

[NSK](#)