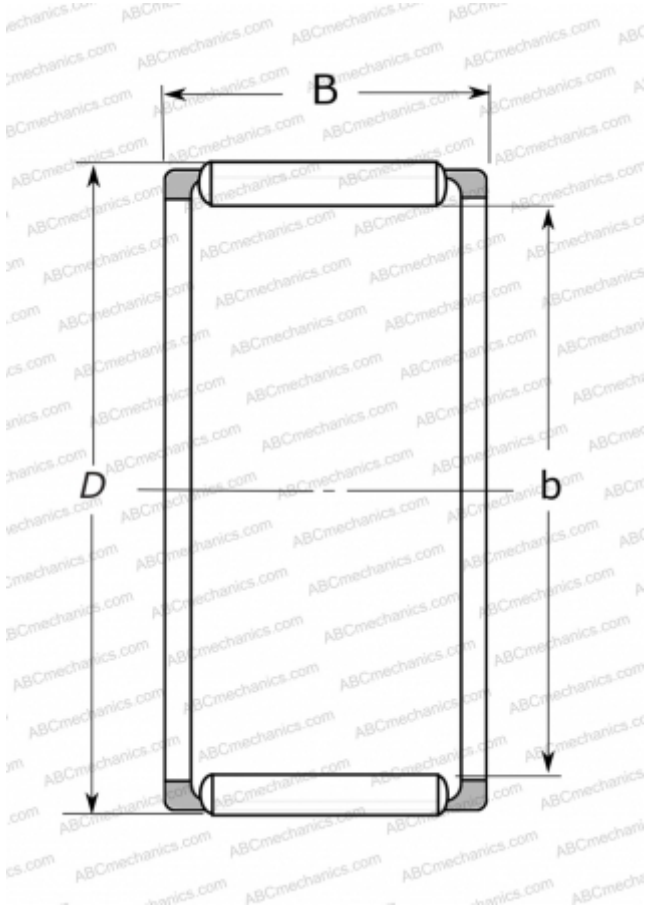


FWF-253216 NSK

Needle roller and cage assemblies

TYPE: Roller bearings, Needle, Single row, Needle roller and cage assemblies, type FWJ, FWF (NSK)



Technical specification

DIMENSIONS, MM

d	25,000
D	32,000
B	16,000

WEIGHT, KG

0,020

MANUFACTURER

[NSK](#)