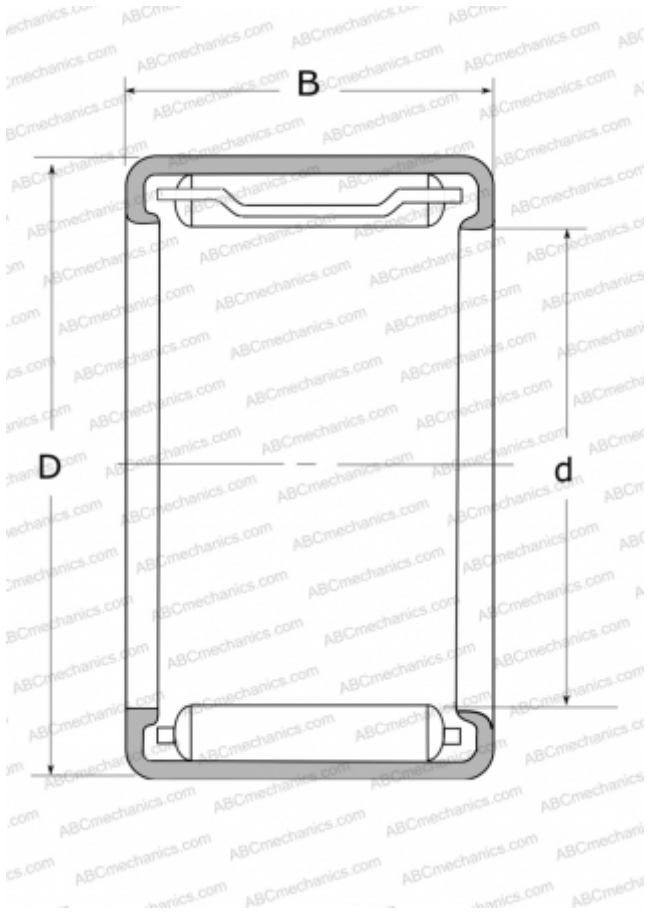


J-78 NSK

Needle roller bearings

TYPE: Roller bearings, Needle, Single row, Drawn cup, with cage, with open ends, type J, JH (NSK), inch size



Technical specification

DIMENSIONS, MM

d	11,112
D	15,875
B	12,700

WEIGHT, KG

0,006

MANUFACTURER

[NSK](http://www.nsk.com)