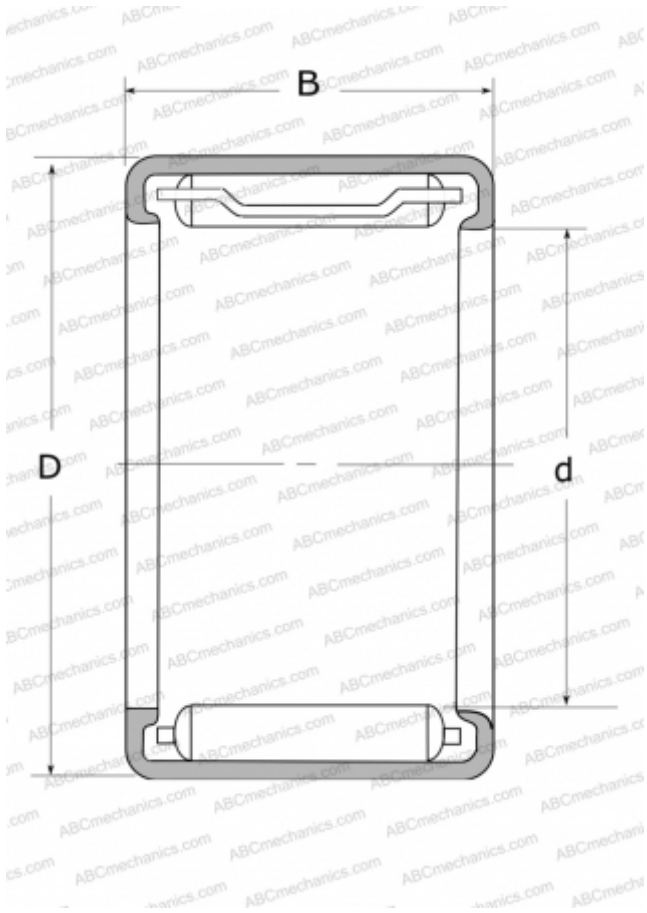


## J-1012 NSK

Needle roller bearings

TYPE: Roller bearings, Needle, Single row, Drawn cup, with cage, with open ends, type J, JH (NSK), inch size



### Technical specification

#### DIMENSIONS, MM

d	15,875
D	20,638
B	19,050

#### WEIGHT, KG

0,013

#### MANUFACTURER

[NSK](#)

#### ASSOCIATED PRODUCTS

IR-612-1