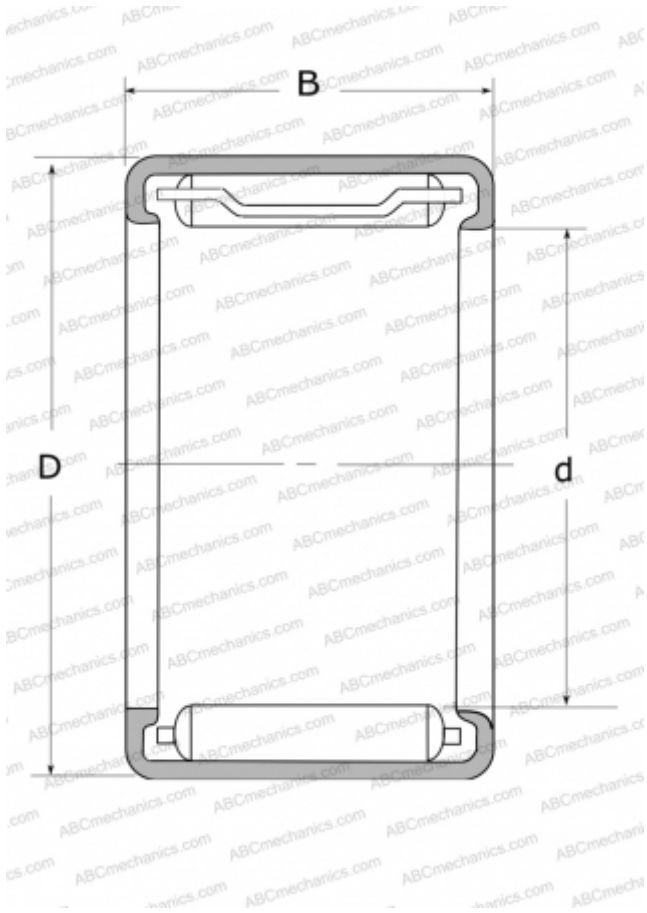


JH-1016 NSK

Needle roller bearings

TYPE: Roller bearings, Needle, Single row, Drawn cup, with cage, with open ends, type J, JH (NSK), inch size



Technical specification

DIMENSIONS, MM

d	15,875
D	22,225
B	25,400

WEIGHT, KG

0,025

MANUFACTURER

[NSK](#)