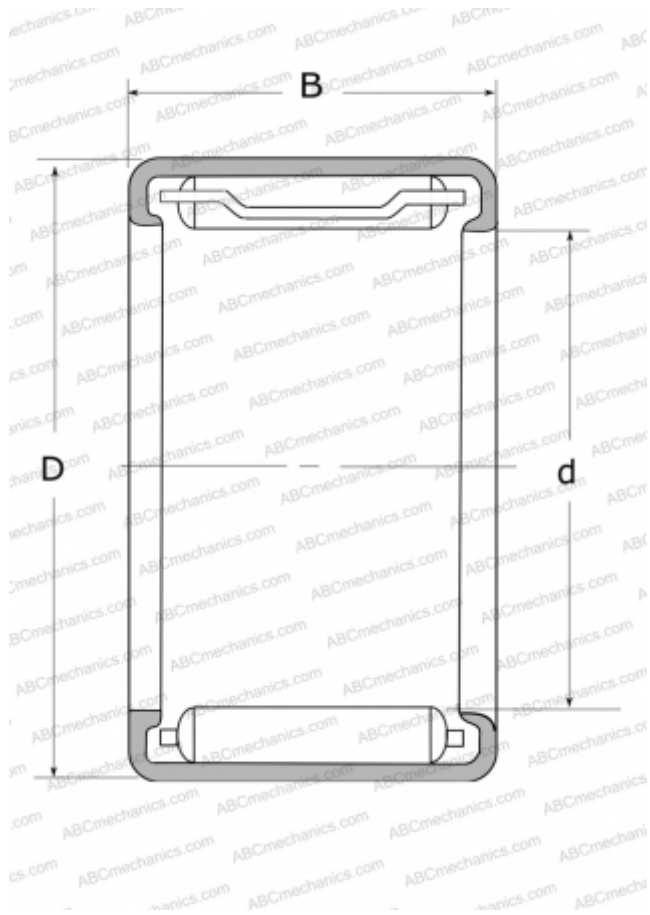


J-1112 NSK

Needle roller bearings

TYPE: Roller bearings, Needle, Single row, Drawn cup, with cage, with open ends, type J, JH (NSK), inch size



Technical specification

DIMENSIONS, MM

d	17,462
D	22,225
B	19,050

WEIGHT, KG

0,016

MANUFACTURER

[NSK](#)