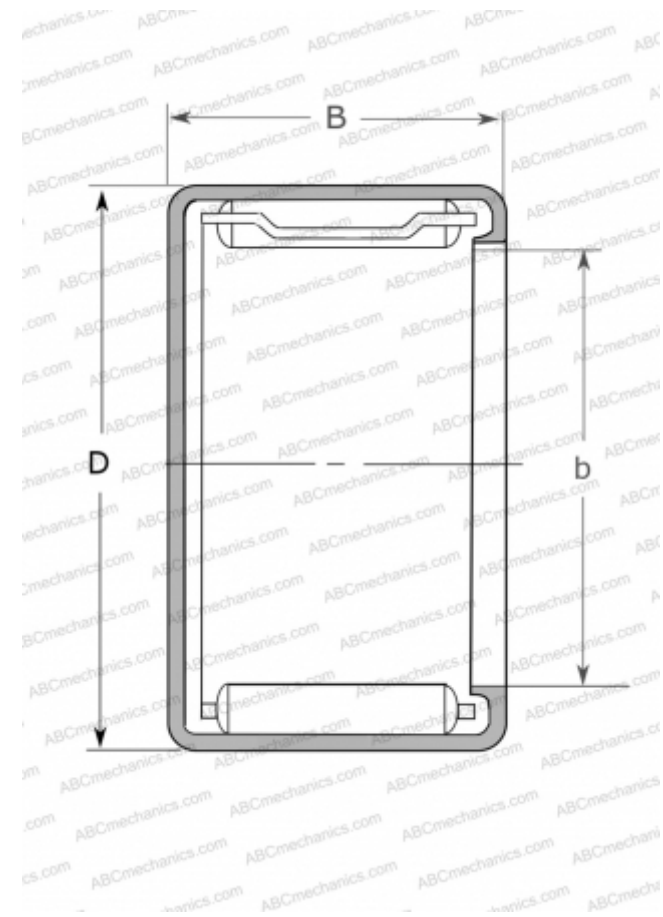


MJ-16161 NSK

Needle roller bearings

TYPE: Roller bearings, Needle, Single row, Drawn cup, with cage, with open ends, closed, type MJ, MJH (NSK), inch size



Technical specification

DIMENSIONS, MM

d	25,400
D	31,750
B	25,400

WEIGHT, KG

0,040

MANUFACTURER

[NSK](#)

ASSOCIATED PRODUCTS

IR-1316