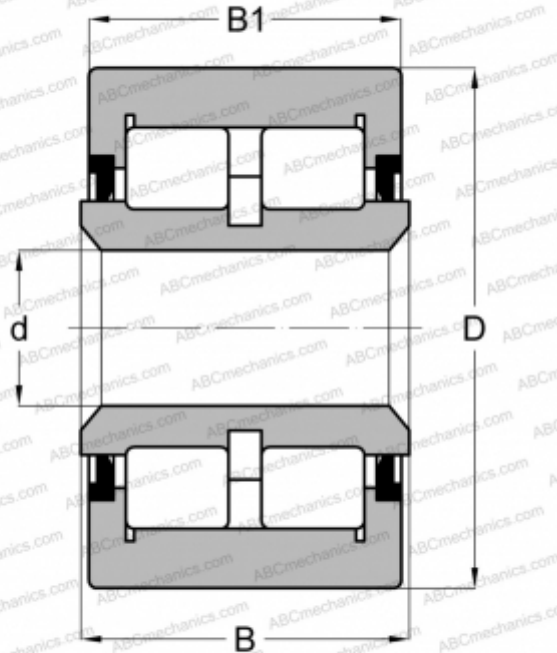


RBY 1 1/2 ABC

Yoke type track roller

TYPE: Roller bearings, Yoke type track rollers, With axial guidance, Double row roller set, contact seals on both side, cylindrical outer ring, inch size



Technical specification

DIMENSIONS, MM

| | |
|----|--------|
| d | 11,100 |
| D | 38,100 |
| B | 23,800 |
| B1 | 22,225 |

WEIGHT, KG

0,168

MANUFACTURER

[ABC](#)

INTERCHANGE

CONSOLIDATED

[YCRSR 24](#)