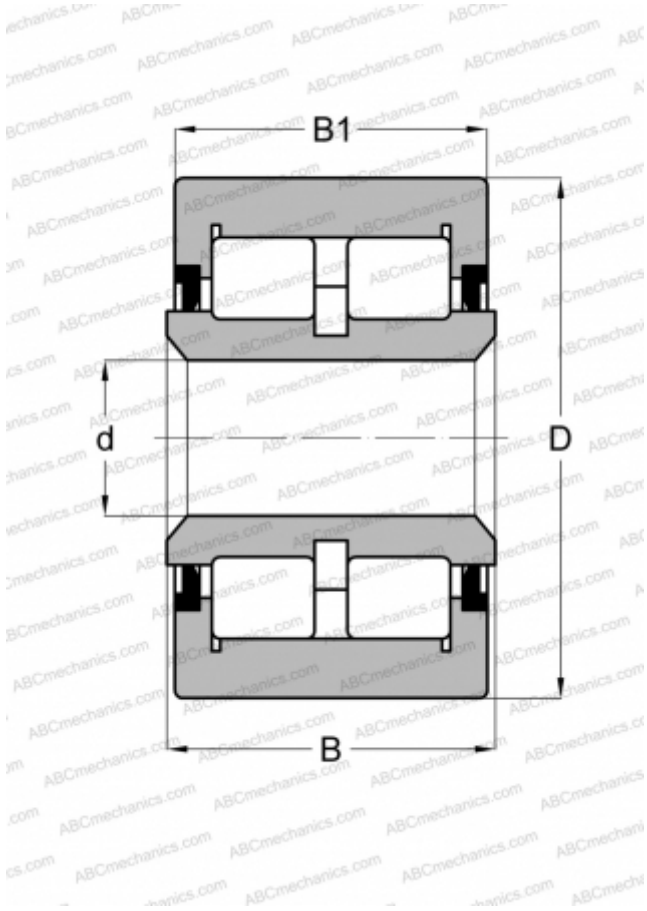


RBY 1 5/8 ABC

Yoke type track roller

TYPE: Roller bearings, Yoke type track rollers, With axial guidance, Double row roller set, contact seals on both side, cylindrical outer ring, inch size



Technical specification

DIMENSIONS, MM

d	11,100
D	41,275
B	23,800
B1	22,225

WEIGHT, KG

0,200

MANUFACTURER

[ABC](#)

INTERCHANGE

CONSOLIDATED

[YCRSR 26](#)