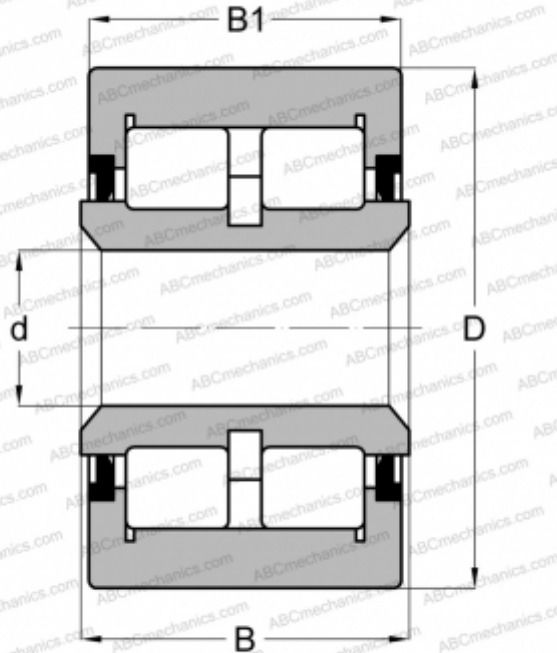


RBY 10 ABC

Yoke type track roller

TYPE: Roller bearings, Yoke type track rollers, With axial guidance, Double row roller set, contact seals on both side, cylindrical outer ring, inch size



Technical specification

DIMENSIONS, MM

d	107,950
D	254,000
B	139,700
B1	133,350

WEIGHT, KG

39,916

MANUFACTURER

[ABC](#)

INTERCHANGE

CONSOLIDATED

[YCRSR 160](#)