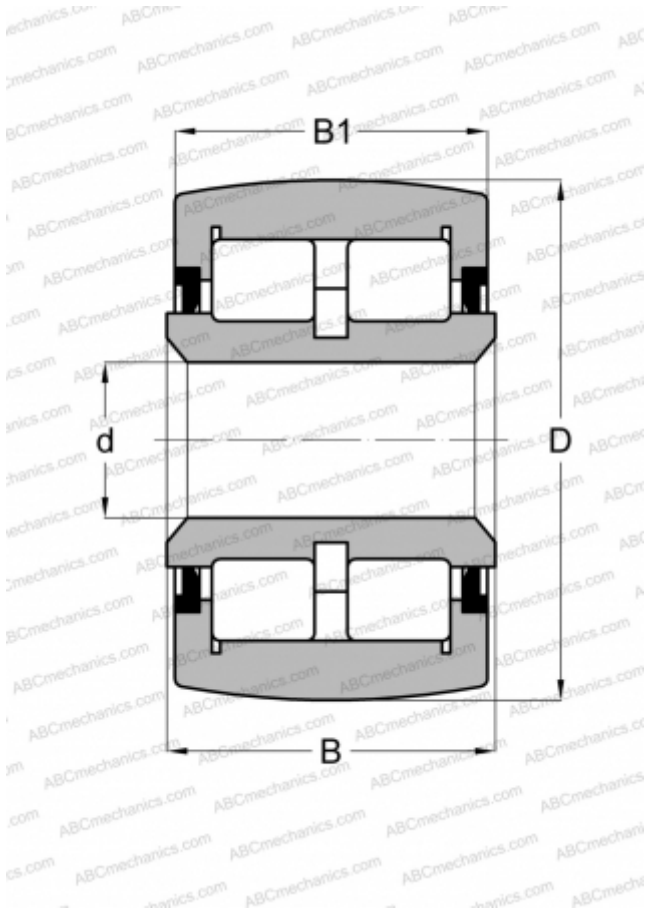


CRBY 1 3/4 ABC

Yoke type track roller

TYPE: Roller bearings, Yoke type track rollers, With axial guidance, Double row roller set, contact seals on both side, inch size



Technical specification

DIMENSIONS, MM

d	12,700
D	44,450
B	26,975
B1	25,400

WEIGHT, KG

0,263

MANUFACTURER

[ABC](#)

INTERCHANGE

CONSOLIDATED

[YCRSCR 28](#)