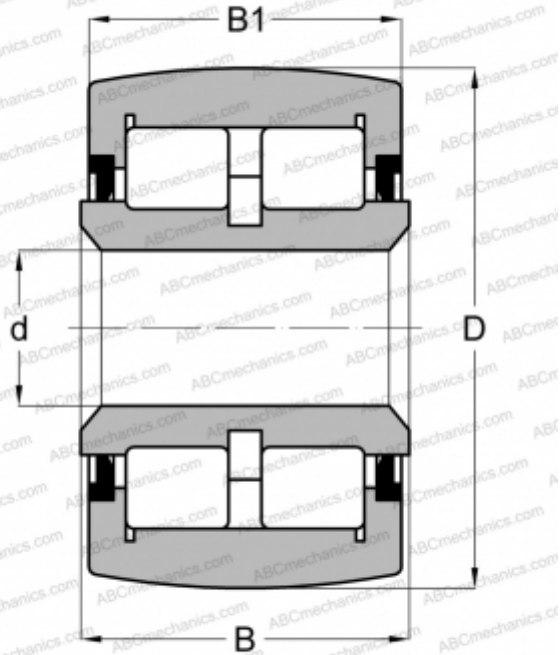


CRBY 3 ABC

Yoke type track roller

TYPE: Roller bearings, Yoke type track rollers, With axial guidance, Double row roller set, contact seals on both side, inch size



Technical specification

DIMENSIONS, MM

| | |
|----|--------|
| d | 25,400 |
| D | 76,200 |
| B | 46,025 |
| B1 | 44,450 |

WEIGHT, KG

1,302

MANUFACTURER

[ABC](#)

INTERCHANGE

CONSOLIDATED

[YCRSCR 48](#)