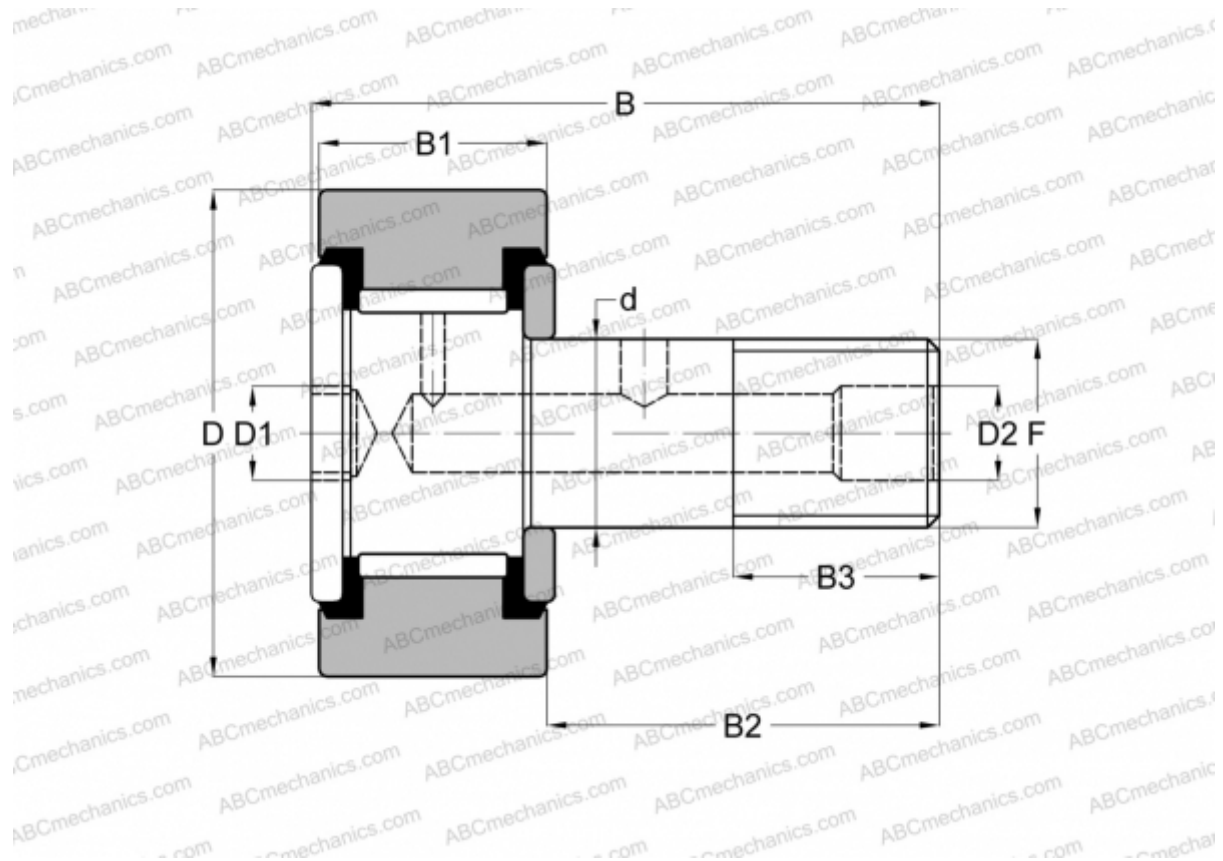


## CF 8-1 PP INA

Cam followers

TYPE: Roller bearings, Stud type track rollers, Hex socket, contact seals on both side, cylindrical outer ring, inch size



### Technical specification

#### DIMENSIONS, MM

d	4,826
D	12,700
D1	3,175
B	26,193
B1	9,525
B2	15,875
B3	6,350
F	10-32

**WEIGHT, KG** 0,014

**MANUFACTURER** [INA](#)

#### INTERCHANGE

ABC	<a href="#">CRSB 8-1</a>
McGill	<a href="#">CF- 1/2 -SB</a>

#### INTERCHANGE

RBC	<a href="#">S 16 LW</a>
SMITH BEARING	<a href="#">CR- 1/2 -XB</a>
TORRINGTON	<a href="#">CRSB 8-1</a>