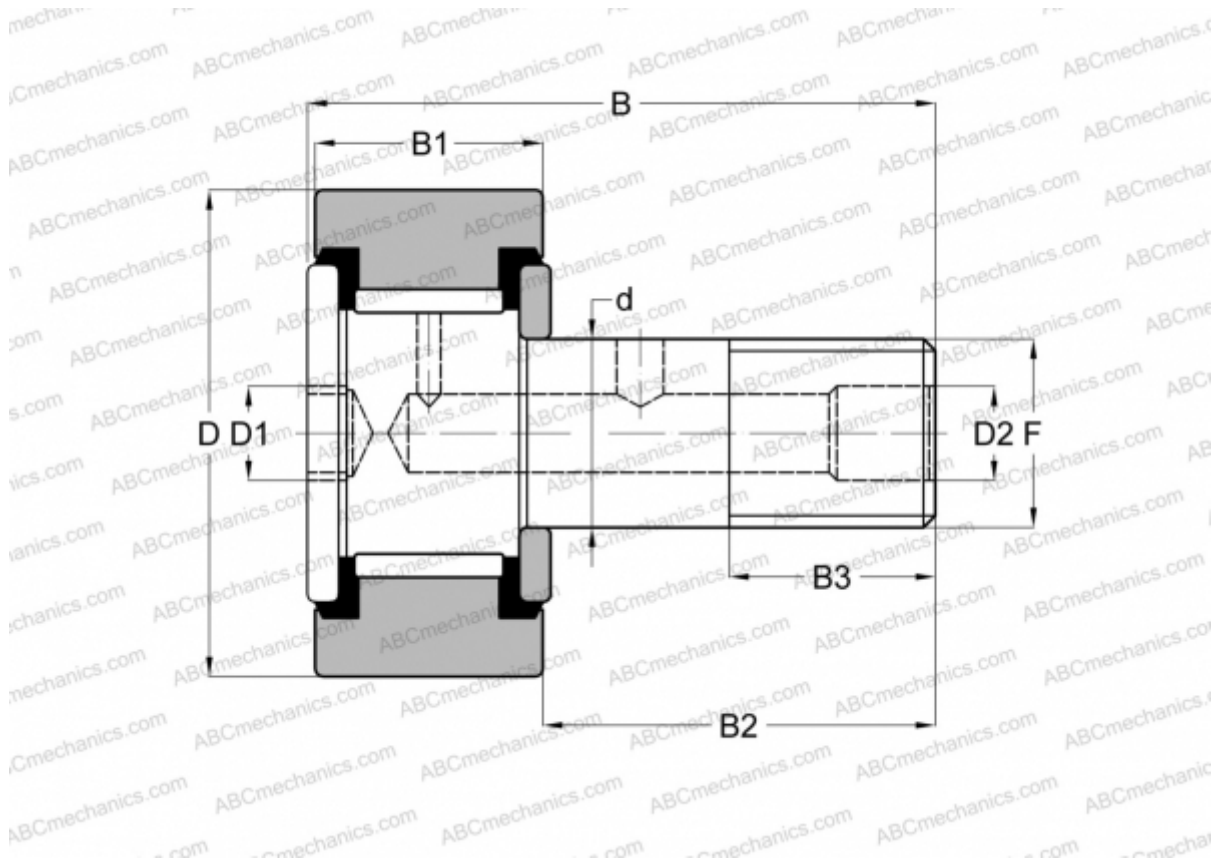


CF 10-1 PP INA

Cam followers

TYPE: Roller bearings, Stud type track rollers, Hex socket, contact seals on both side, cylindrical outer ring, inch size



Technical specification

DIMENSIONS, MM

d	6,350
D	15,875
D1	3,175
B	30,980
B1	11,125
B2	19,050
B3	7,938
F	1/4-28

WEIGHT, KG 0,018

MANUFACTURER [INA](#)

INTERCHANGE

ABC	CRSB 10-1
McGill	CF- 5/8 -SB

INTERCHANGE

RBC	S 20 LW
SMITH BEARING	CR- 5/8 -XB
TORRINGTON	CRSB 10-1