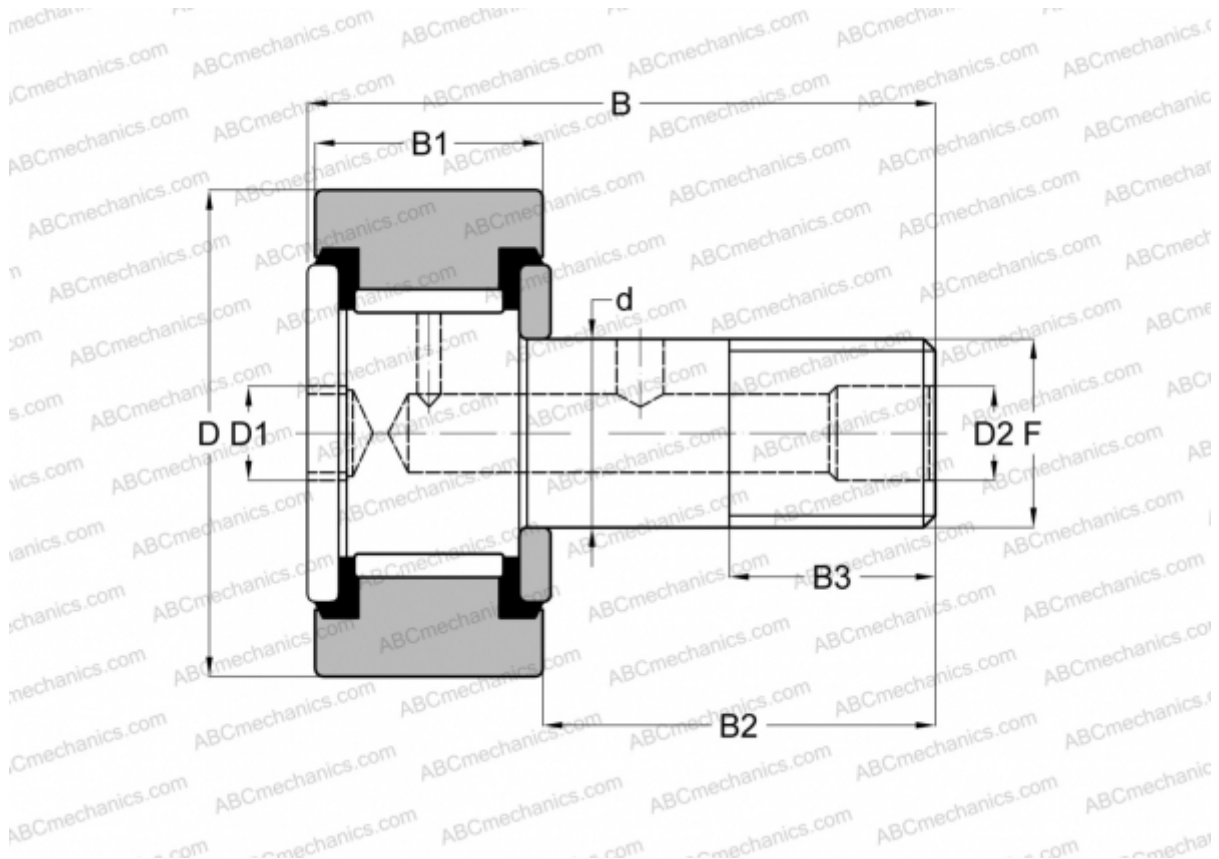


## CR- 5/8 -XB SMITH BEARING

Cam followers

TYPE: Roller bearings, Stud type track rollers, Hex socket, contact seals on both side, cylindrical outer ring, inch size



### Technical specification

#### DIMENSIONS, MM

d	6,350
D	15,875
D1	3,175
B	30,980
B1	11,125
B2	19,050
B3	7,938
F	1/4-28

**WEIGHT, KG** 0,018

**MANUFACTURER** [SMITH BEARING](#)

#### INTERCHANGE

ABC	<a href="#">CRSB 10-1</a>
INA	<a href="#">CF 10-1 PP</a>

#### INTERCHANGE

McGill	<a href="#">CF- 5/8 -SB</a>
RBC	<a href="#">S 20 LW</a>
TORRINGTON	<a href="#">CRSB 10-1</a>