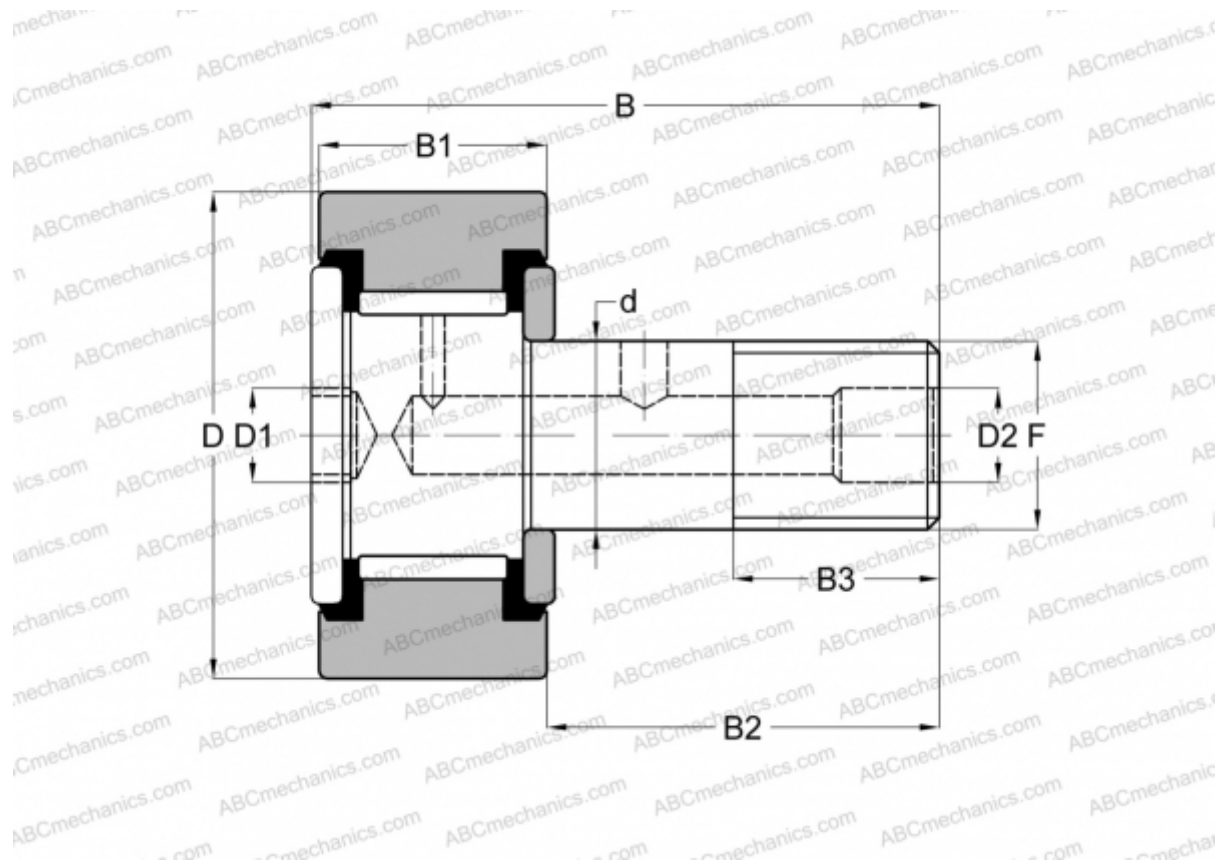


CR- 3/4 -XB SMITH BEARING

Cam followers

TYPE: Roller bearings, Stud type track rollers, Hex socket, contact seals on both side, cylindrical outer ring, inch size



Technical specification

DIMENSIONS, MM

d	9,525
D	19,050
D1	4,763
D2	4,763
B	35,718
B1	12,700
B2	22,225
B3	9,525
F	3/8-24

WEIGHT, KG 0,032

MANUFACTURER [SMITH BEARING](#)

INTERCHANGE

ABC [CRSB 12](#)

INTERCHANGE

INA	CF 12 PP
McGill	CF- 3/4 -SB
RBC	S 24 LW
TORRINGTON	CRSB 12