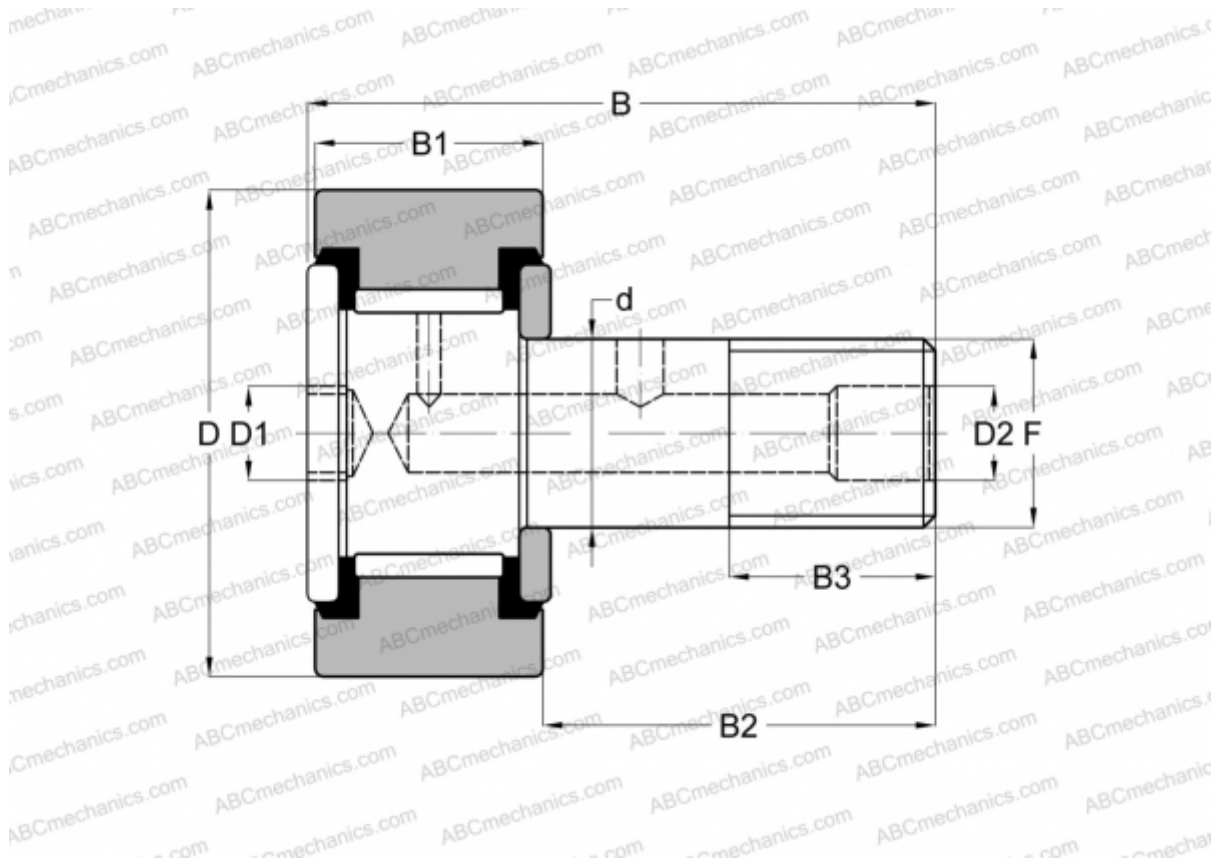


## CRSB 12 TORRINGTON

Cam followers

TYPE: Roller bearings, Stud type track rollers, Hex socket, contact seals on both side, cylindrical outer ring, inch size



### Technical specification

#### DIMENSIONS, MM

d	9,525
D	19,050
D1	4,763
D2	4,763
B	35,718
B1	12,700
B2	22,225
B3	9,525
F	3/8-24

**WEIGHT, KG** 0,032

**MANUFACTURER** [TORRINGTON](#)

#### INTERCHANGE

ABC [CRSB 12](#)

#### INTERCHANGE

INA	<a href="#">CF 12 PP</a>
McGill	<a href="#">CF- 3/4 -SB</a>
RBC	<a href="#">S 24 LW</a>
SMITH BEARING	<a href="#">CR- 3/4 -XB</a>