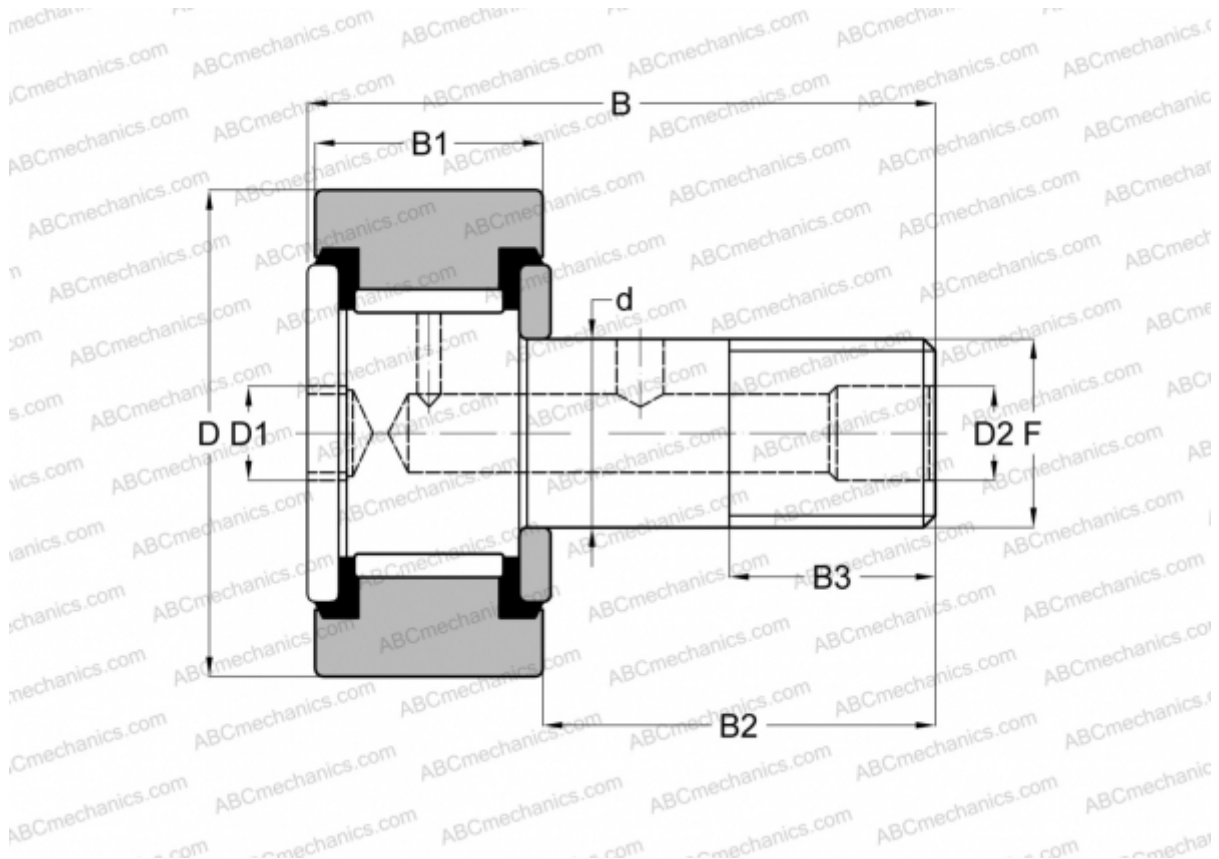


S 28 LW RBC

Cam followers

TYPE: Roller bearings, Stud type track rollers, Hex socket, contact seals on both side, cylindrical outer ring, inch size



Technical specification

DIMENSIONS, MM

d	9,525
D	22,225
D1	4,763
D2	4,763
B	35,718
B1	12,700
B2	22,225
B3	9,525
F	3/8-24

WEIGHT, KG 0,045

MANUFACTURER [RBC](#)

INTERCHANGE

ABC [CRSB 14](#)

INTERCHANGE

INA	CF 14 PP
McGill	CF- 7/8 -SB
SMITH BEARING	CR- 7/8 -XB
TORRINGTON	CRSB 14