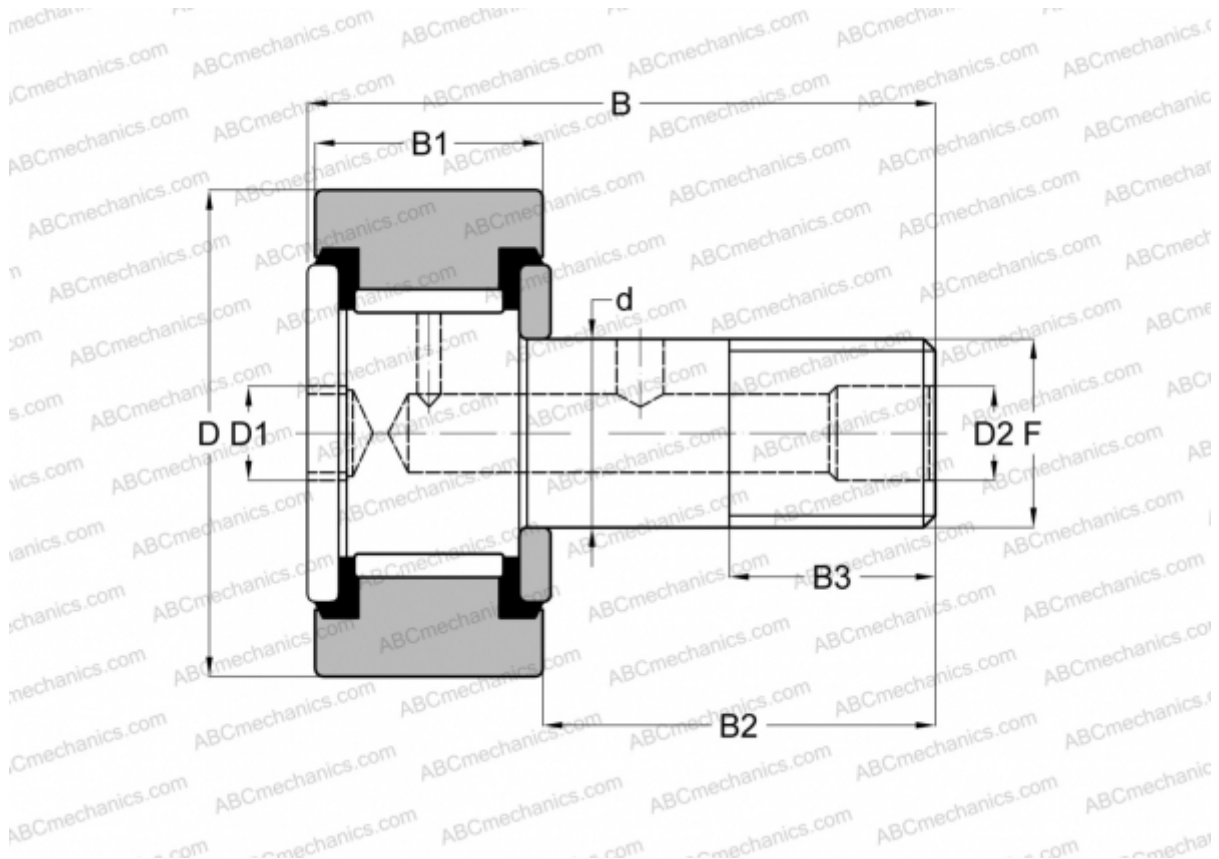


CRSB 16 TORRINGTON

Cam followers

TYPE: Roller bearings, Stud type track rollers, Hex socket, contact seals on both side, cylindrical outer ring, inch size



Technical specification

DIMENSIONS, MM

d	11,113
D	25,400
D1	6,350
D2	4,763
B	42,068
B1	15,875
B2	25,400
B3	12,700
F	7/16-20

WEIGHT, KG 0,073

MANUFACTURER [TORRINGTON](#)

INTERCHANGE

ABC [CRSB 16](#)

INTERCHANGE

INA	CF 16 PP
McGill	CF-1-SB
RBC	S 32 LW
SMITH BEARING	CR-1-XB