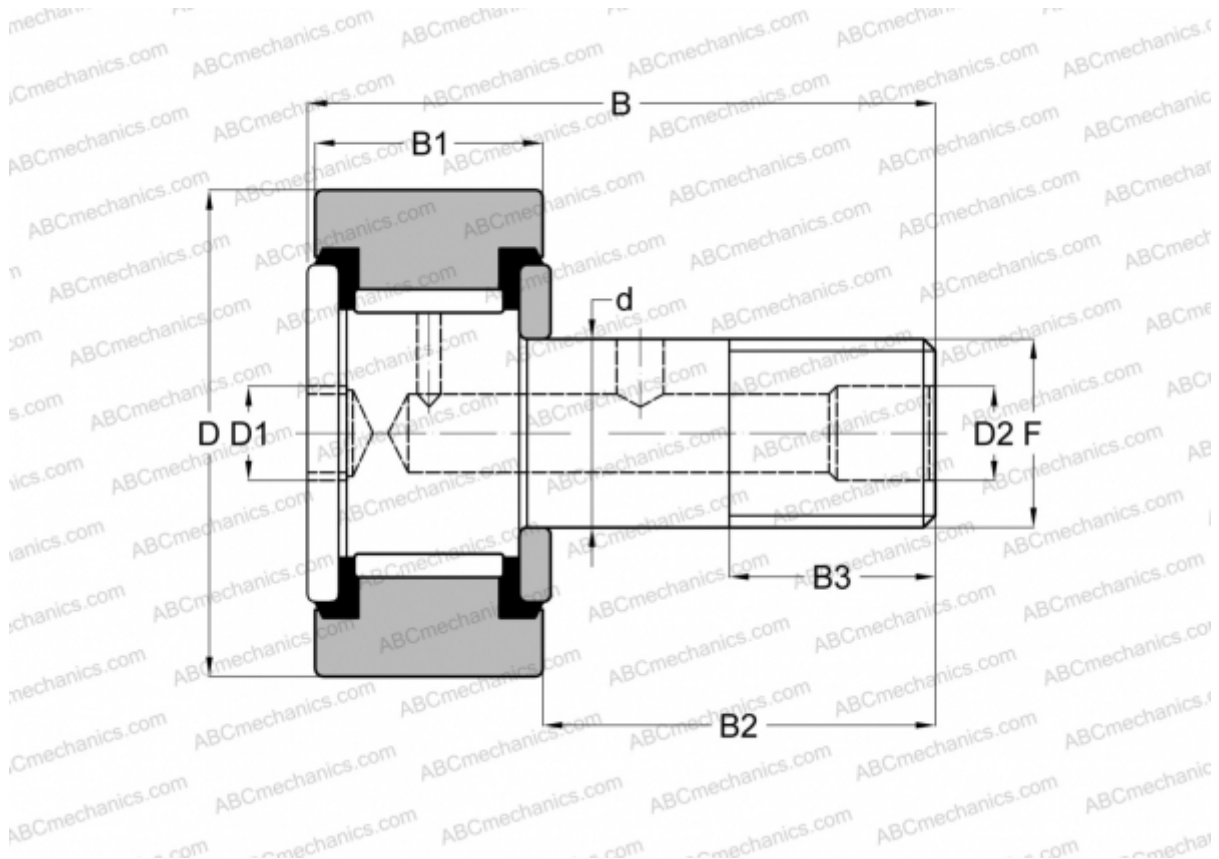


CRSB 22 TORRINGTON

Cam followers

TYPE: Roller bearings, Stud type track rollers, Hex socket, contact seals on both side, cylindrical outer ring, inch size



Technical specification

DIMENSIONS, MM

| | |
|----|--------|
| d | 12,700 |
| D | 34,925 |
| D1 | 6,350 |
| D2 | 4,763 |
| B | 51,593 |
| B1 | 19,050 |
| B2 | 31,750 |
| B3 | 15,875 |
| F | 1/2-20 |

WEIGHT, KG 0,159

MANUFACTURER [TORRINGTON](#)

INTERCHANGE

| | |
|-----|-------------------------|
| ABC | CRSB 22 |
|-----|-------------------------|

INTERCHANGE

| | |
|---------------|------------------------------|
| INA | CF 22 PP |
| McGill | CF-1 3/8 -SB |
| RBC | S 44 LW |
| SMITH BEARING | CR-1 3/8 -XB |