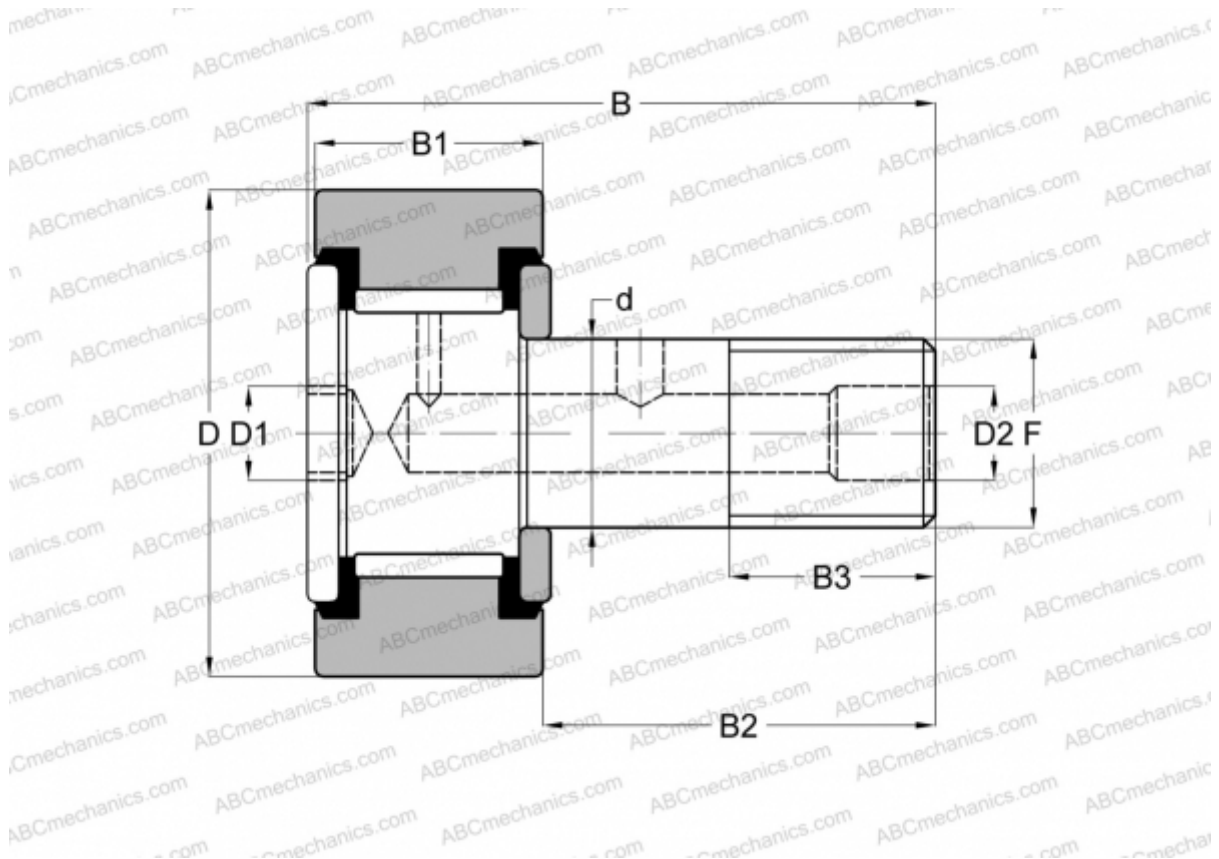


CR-1 1/2 -XB SMITH BEARING

Cam followers

TYPE: Roller bearings, Stud type track rollers, Hex socket, contact seals on both side, cylindrical outer ring, inch size



Technical specification

DIMENSIONS, MM

d	15,875
D	38,100
D1	7,938
D2	4,763
B	61,118
B1	22,225
B2	38,100
B3	19,050
F	5/8-18

WEIGHT, KG 0,236

MANUFACTURER [SMITH BEARING](#)

INTERCHANGE

ABC [CRSB 24](#)

INTERCHANGE

INA	CF 24 PP
McGill	CF-1 1/2 -SB
RBC	S 48 LW
TORRINGTON	CRSB 24