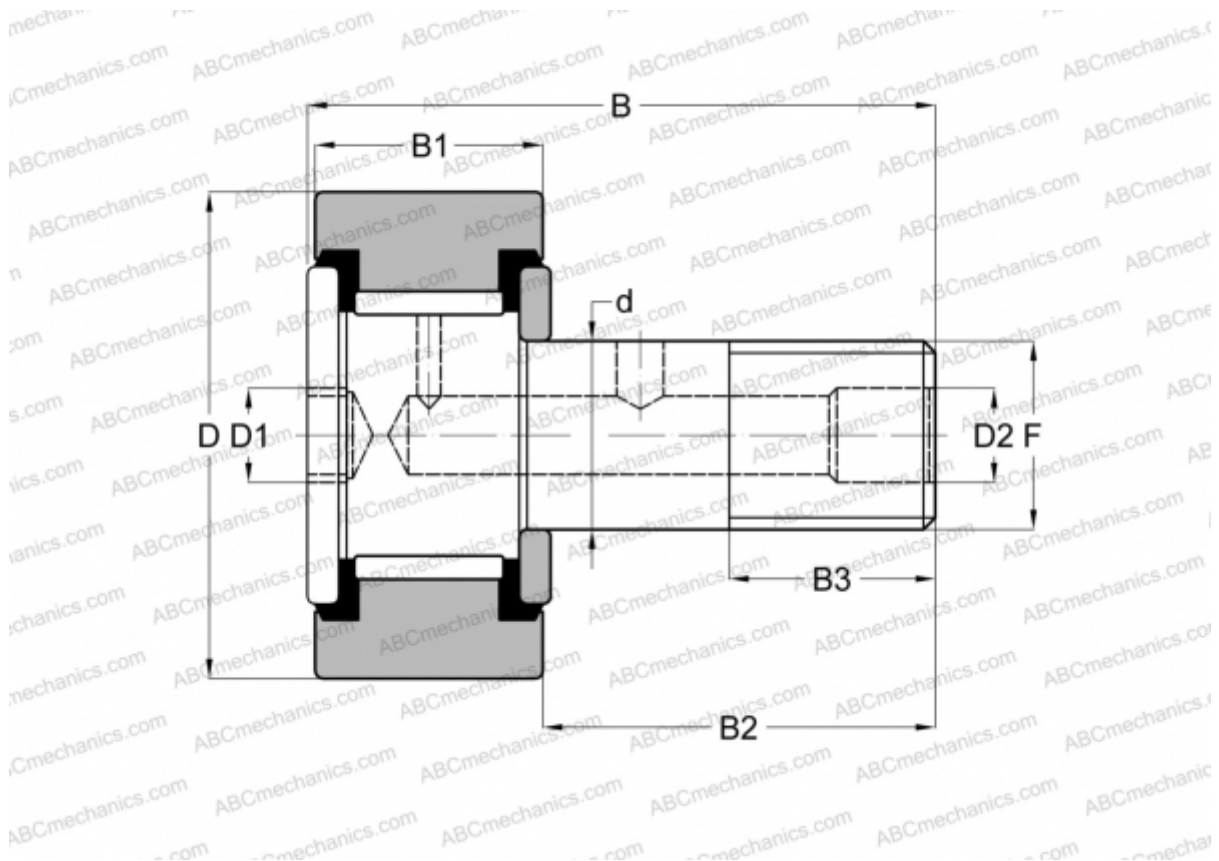


CRSB 28 TORRINGTON

Cam followers

TYPE: Roller bearings, Stud type track rollers, Hex socket, contact seals on both side, cylindrical outer ring, inch size



Technical specification

DIMENSIONS, MM

| | |
|----|--------|
| d | 19,050 |
| D | 44,450 |
| D1 | 7,938 |
| D2 | 4,763 |
| B | 70,643 |
| B1 | 25,400 |
| B2 | 44,450 |
| B3 | 22,225 |
| F | 3/4-16 |

WEIGHT, KG 0,376

MANUFACTURER [TORRINGTON](#)

INTERCHANGE

ABC [CRSB 28](#)

INTERCHANGE

| | |
|---------------|------------------------------|
| INA | CF 28 PP |
| McGill | CF-1 3/4 -SB |
| RBC | S 56 LW |
| SMITH BEARING | CR-1 3/4 -XB |