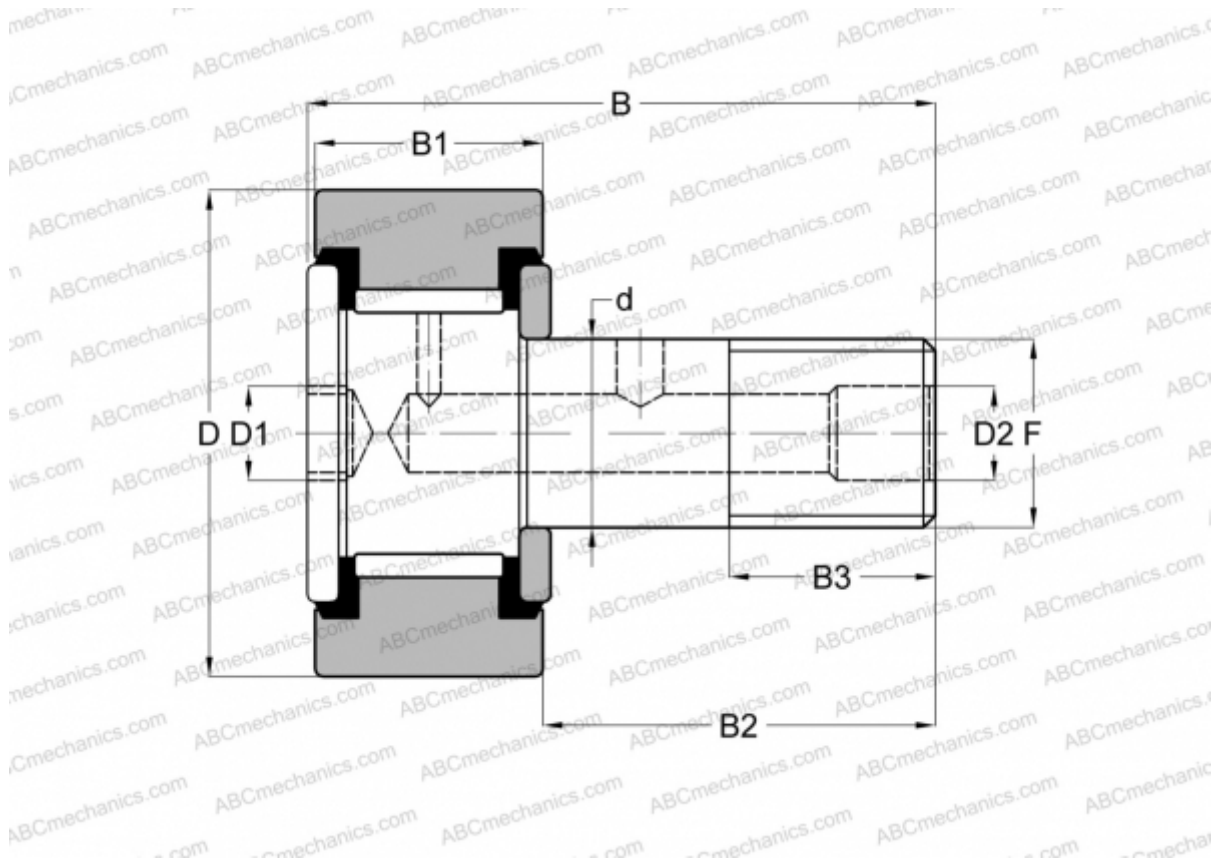


CRSB 36 TORRINGTON

Cam followers

TYPE: Roller bearings, Stud type track rollers, Hex socket, contact seals on both side, cylindrical outer ring, inch size



Technical specification

DIMENSIONS, MM

d	22,225
D	57,150
D1	11,113
D2	4,763
B	83,343
B1	31,750
B2	50,800
B3	25,400
F	7/8-14

WEIGHT, KG 0,744

MANUFACTURER [TORRINGTON](#)

INTERCHANGE

ABC [CRSB 36](#)

INTERCHANGE

INA	CF 36 PP
McGill	CF-2 1/4 -SB
RBC	S 72 LW
SMITH BEARING	CR-2 1/4 -XB