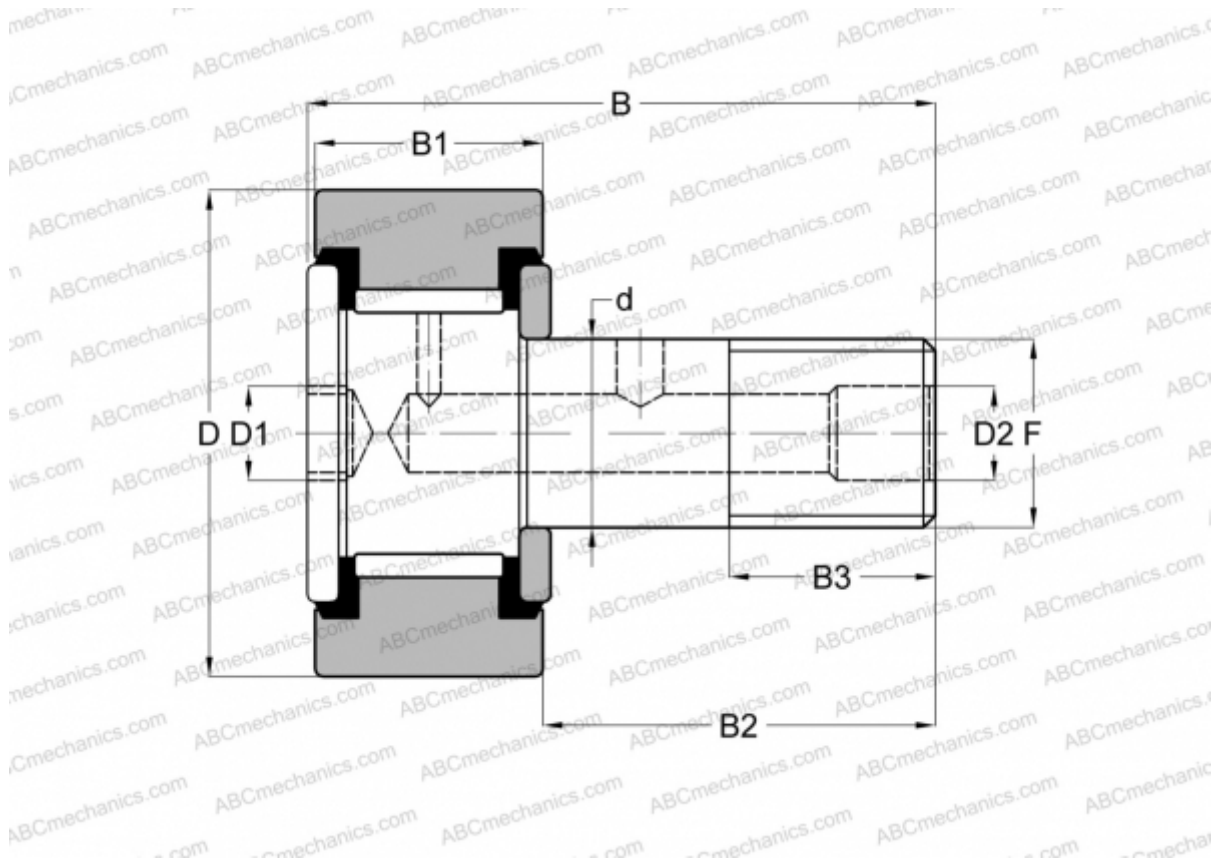


CF-2 1/2 -SB McGill

Cam followers

TYPE: Roller bearings, Stud type track rollers, Hex socket, contact seals on both side, cylindrical outer ring, inch size



Technical specification

DIMENSIONS, MM

d	25,400
D	63,500
D1	12,700
D2	4,763
B	96,043
B1	38,100
B2	57,150
B3	28,575
F	1-14

WEIGHT, KG 1,134

MANUFACTURER [McGill](#)

INTERCHANGE

ABC	CRSB 40
-----	-------------------------

INTERCHANGE

INA	CF 40 PP
RBC	S 80 LW
SMITH BEARING	CR-2 1/2 -XB
TORRINGTON	CRSB 40