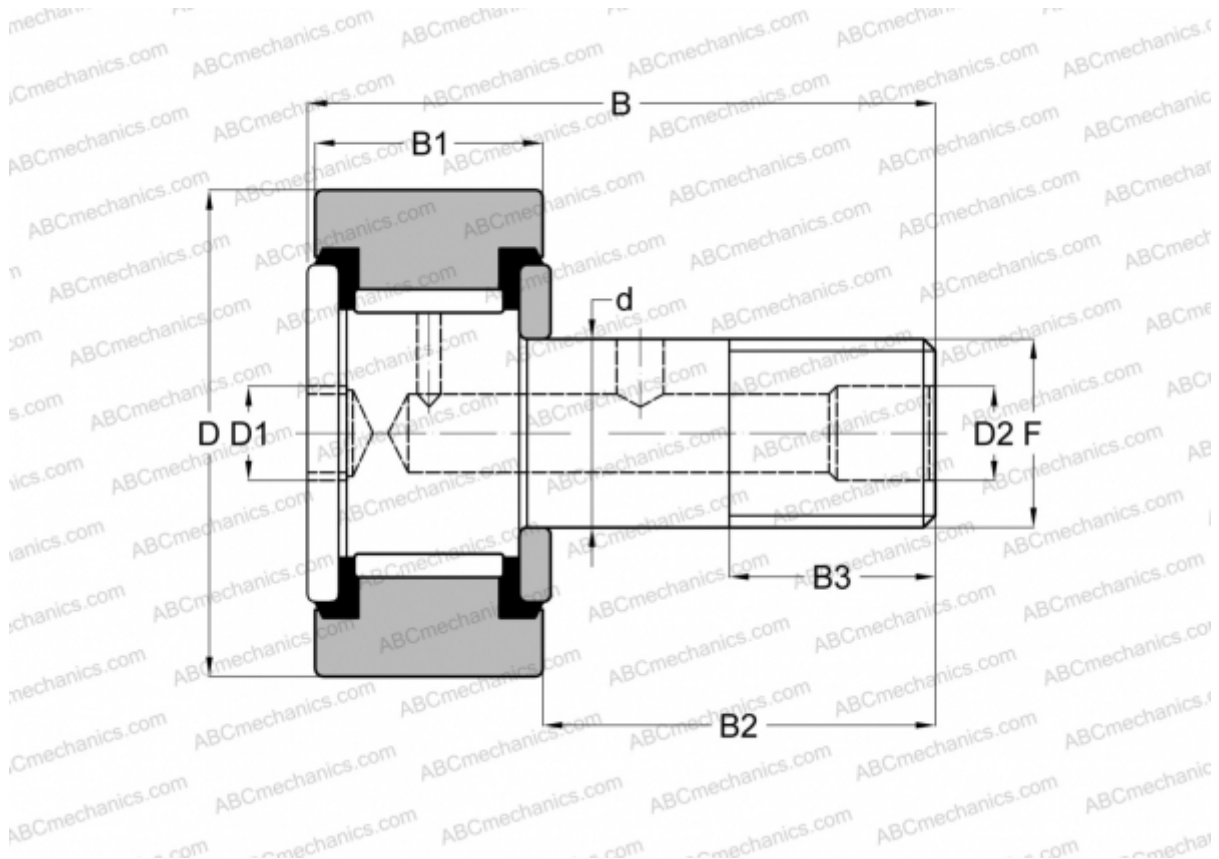


## S 80 LW RBC

Cam followers

TYPE: Roller bearings, Stud type track rollers, Hex socket, contact seals on both side, cylindrical outer ring, inch size



### Technical specification

#### DIMENSIONS, MM

d	25,400
D	63,500
D1	12,700
D2	4,763
B	96,043
B1	38,100
B2	57,150
B3	28,575
F	1-14

**WEIGHT, KG** 1,134

**MANUFACTURER** [RBC](#)

#### INTERCHANGE

ABC	<a href="#">CRSB 40</a>
-----	-------------------------

#### INTERCHANGE

INA	<a href="#">CF 40 PP</a>
McGill	<a href="#">CF-2 1/2 -SB</a>
SMITH BEARING	<a href="#">CR-2 1/2 -XB</a>
TORRINGTON	<a href="#">CRSB 40</a>