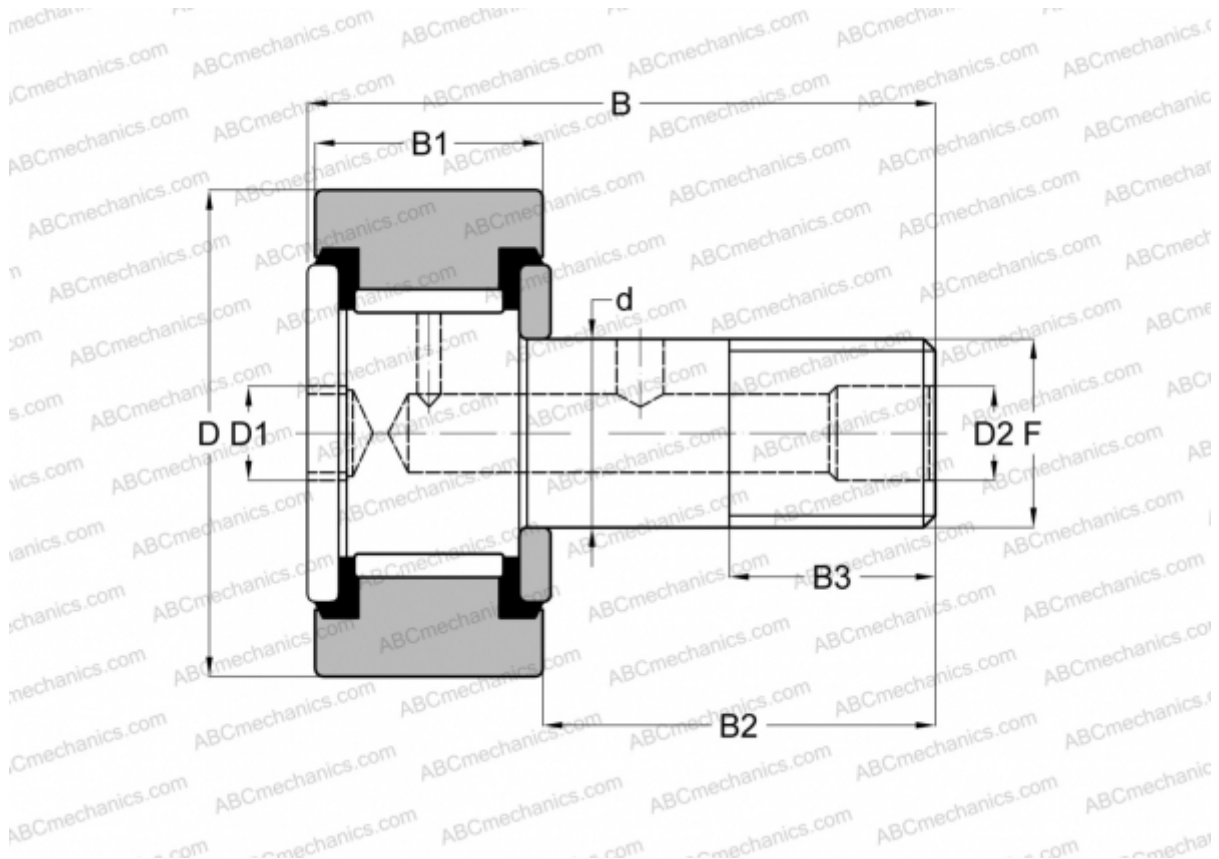


CR-2 3/4 -XB SMITH BEARING

Cam followers

TYPE: Roller bearings, Stud type track rollers, Hex socket, contact seals on both side, cylindrical outer ring, inch size



Technical specification

DIMENSIONS, MM

d	25,400
D	69,850
D1	12,700
D2	4,763
B	96,043
B1	38,100
B2	57,150
B3	28,575
F	1-14

WEIGHT, KG 1,329

MANUFACTURER [SMITH BEARING](#)

INTERCHANGE

ABC [CRSB 44](#)

INTERCHANGE

INA	CF 44 PP
McGill	CF-2 3/4 -SB
RBC	S 88 LW
TORRINGTON	CRSB 44