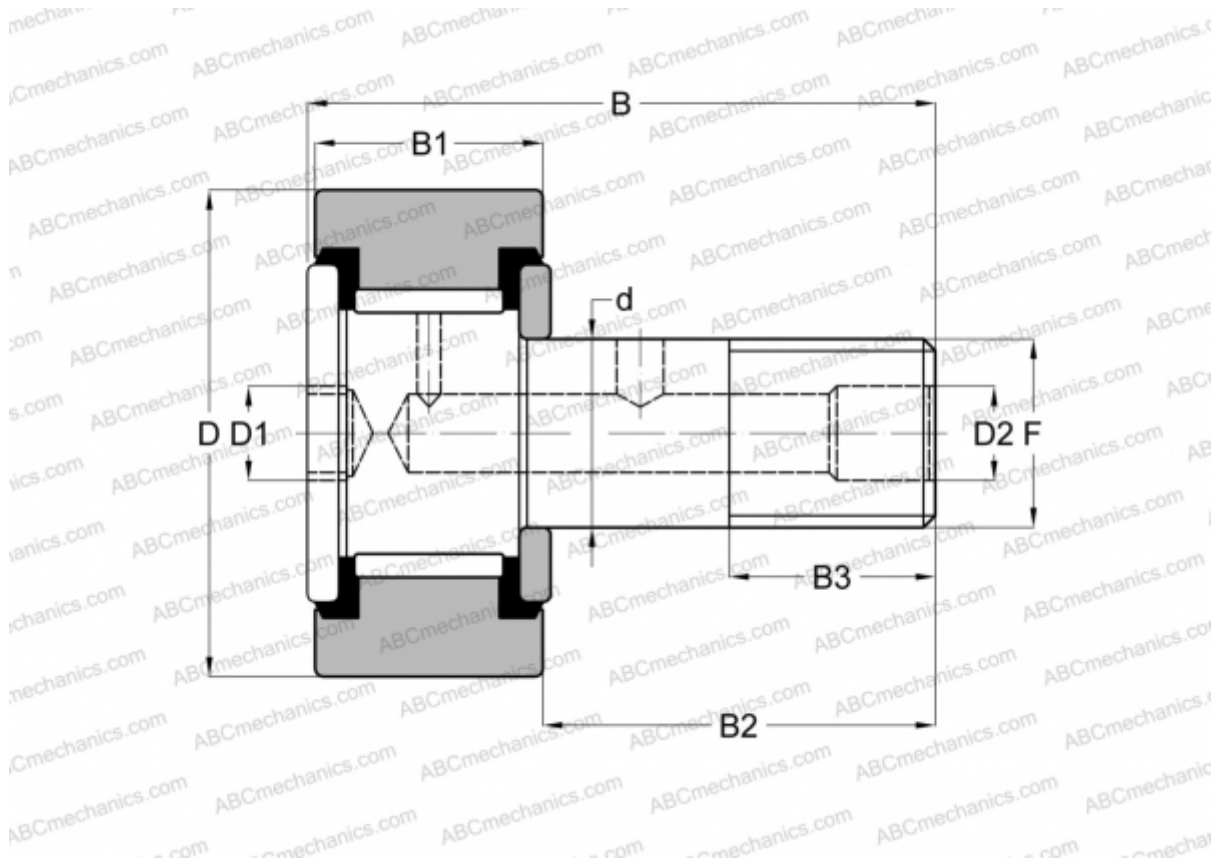


## CRSB 44 TORRINGTON

Cam followers

TYPE: Roller bearings, Stud type track rollers, Hex socket, contact seals on both side, cylindrical outer ring, inch size



### Technical specification

#### DIMENSIONS, MM

d	25,400
D	69,850
D1	12,700
D2	4,763
B	96,043
B1	38,100
B2	57,150
B3	28,575
F	1-14

**WEIGHT, KG** 1,329

**MANUFACTURER** [TORRINGTON](#)

#### INTERCHANGE

ABC [CRSB 44](#)

#### INTERCHANGE

INA	<a href="#">CF 44 PP</a>
McGill	<a href="#">CF-2 3/4 -SB</a>
RBC	<a href="#">S 88 LW</a>
SMITH BEARING	<a href="#">CR-2 3/4 -XB</a>