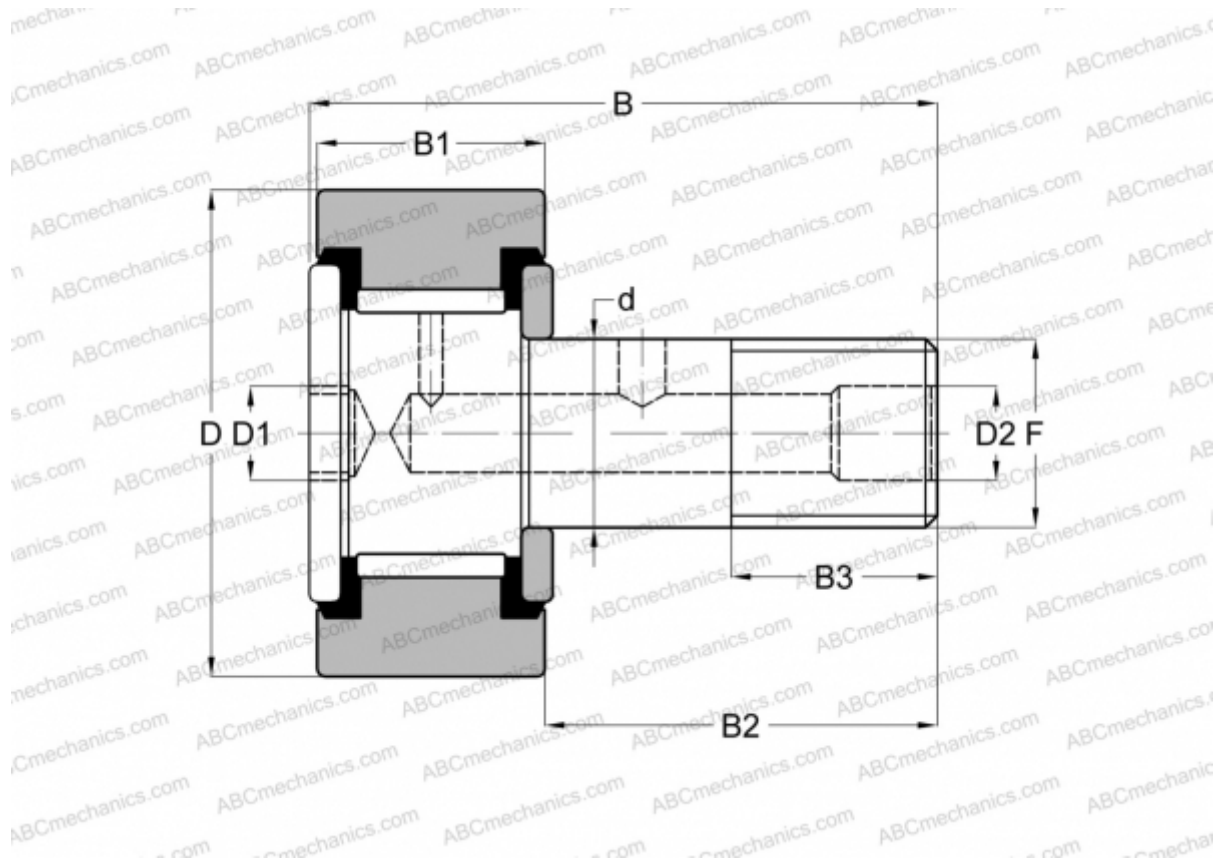


CF-3 1/4 -SB McGill

Cam followers

TYPE: Roller bearings, Stud type track rollers, Hex socket, contact seals on both side, cylindrical outer ring, inch size



Technical specification

DIMENSIONS, MM

d	31,750
D	82,550
D1	15,875
D2	6,350
B	108,742
B1	44,450
B2	63,500
B3	31,750
F	1 1/4-12

WEIGHT, KG 2,182

MANUFACTURER [McGill](#)

INTERCHANGE

ABC [CRSB 52](#)

INTERCHANGE

INA	CF 52 PP
RBC	S 104 LW
SMITH BEARING	CR-3 1/4 -XB
TORRINGTON	CRSB 52