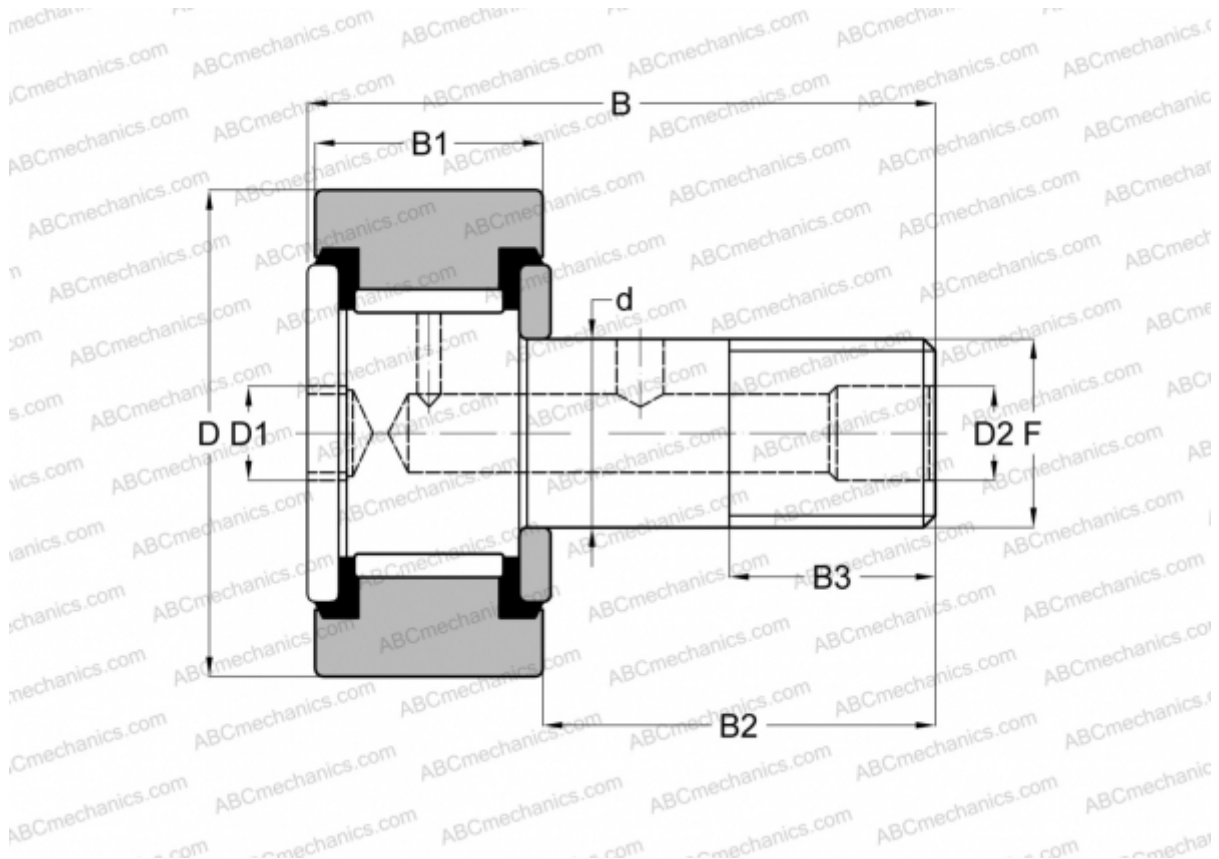


## CRSB 56 TORRINGTON

Cam followers

TYPE: Roller bearings, Stud type track rollers, Hex socket, contact seals on both side, cylindrical outer ring, inch size



### Technical specification

#### DIMENSIONS, MM

d	34,925
D	88,900
D1	19,050
D2	6,350
B	121,442
B1	50,800
B2	69,850
B3	34,925
F	1 3/8-12

**WEIGHT, KG** 2,912

**MANUFACTURER** [TORRINGTON](#)

#### INTERCHANGE

ABC [CRSB 56](#)

#### INTERCHANGE

INA	<a href="#">CF 56 PP</a>
McGill	<a href="#">CF-3 1/2 -SB</a>
RBC	<a href="#">S 112 LW</a>
SMITH BEARING	<a href="#">CR-3 1/2 -XB</a>