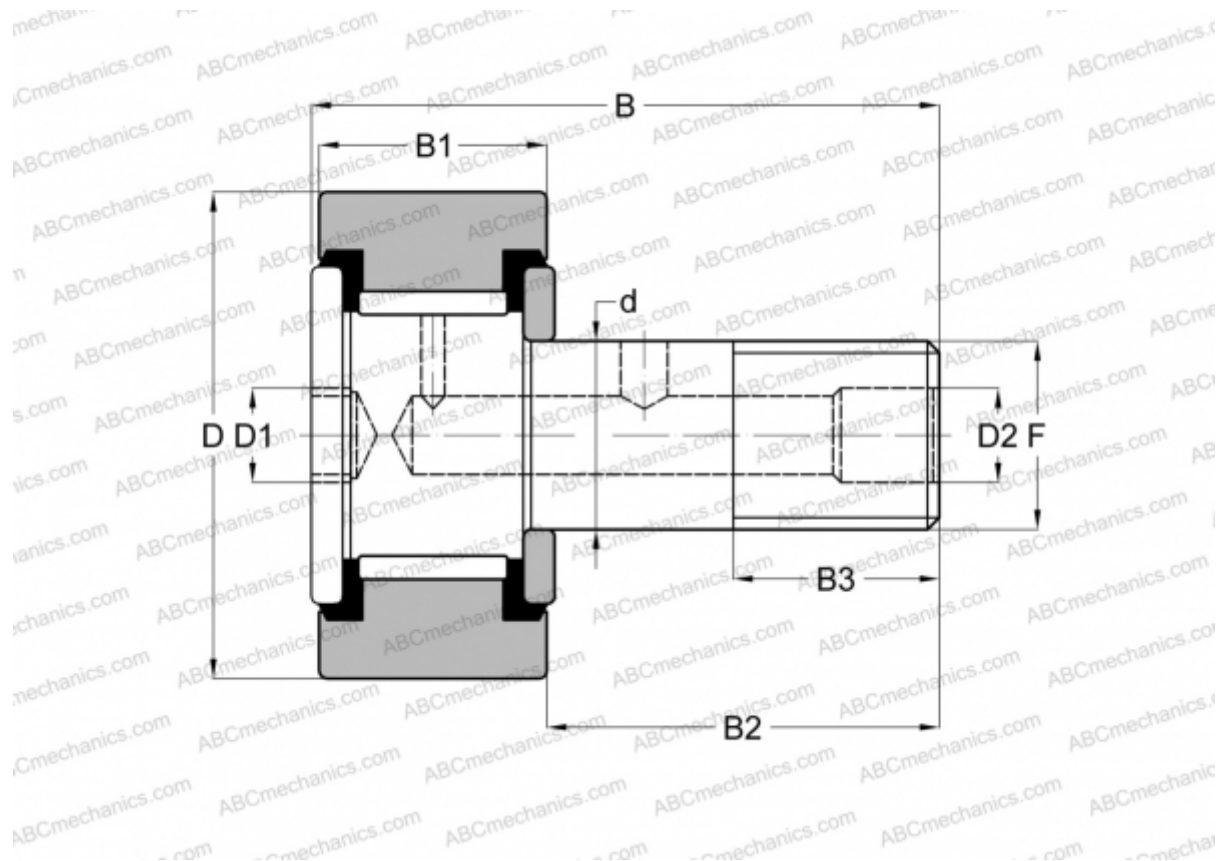


CF-4-SB McGill

Cam followers

TYPE: Roller bearings, Stud type track rollers, Hex socket, contact seals on both side, cylindrical outer ring, inch size



Technical specification

DIMENSIONS, MM

d	38,100
D	101,600
D1	19,050
D2	6,350
B	146,842
B1	57,150
B2	88,900
B3	38,100
F	1 1/2-12

WEIGHT, KG 4,291

MANUFACTURER [McGill](#)

INTERCHANGE

ABC [CRSB 64](#)

INTERCHANGE

INA	CF 64 PP
RBC	S 128 LW
SMITH BEARING	CR-4-XB
TORRINGTON	CRSB 64