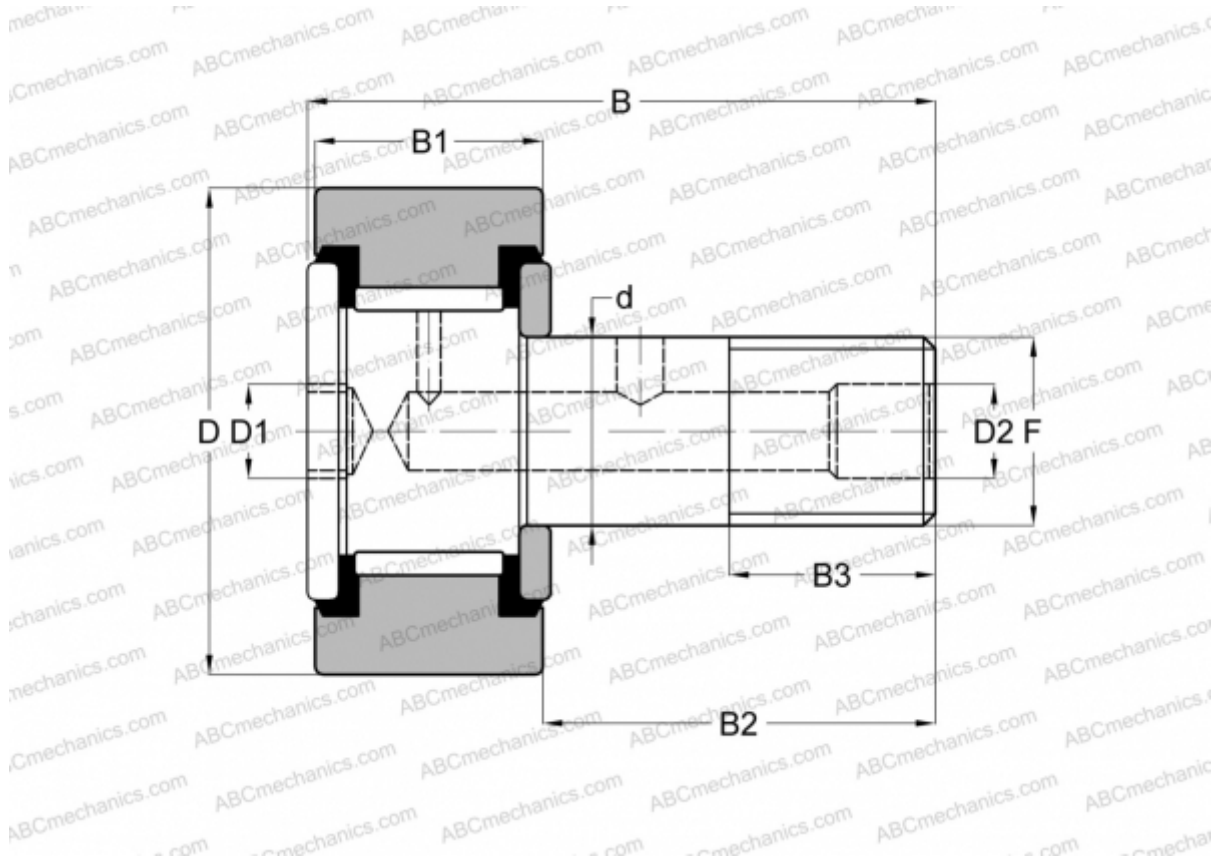


## S 160 LW RBC

Cam followers

TYPE: Roller bearings, Stud type track rollers, Hex socket, contact seals on both side, cylindrical outer ring, inch size



### Technical specification

#### DIMENSIONS, MM

d	50,800
D	127,000
D1	22,225
D2	6,350
B	200,000
B1	69,850
B2	128,575
B3	65,075
F	2-12

**WEIGHT, KG** 8,709

**MANUFACTURER** [RBC](#)

#### INTERCHANGE

ABC [CRSB 80](#)

#### INTERCHANGE

McGill	<a href="#">CF-5-SB</a>
SMITH BEARING	<a href="#">CR-5-XB</a>
TORRINGTON	<a href="#">CRSB 80</a>