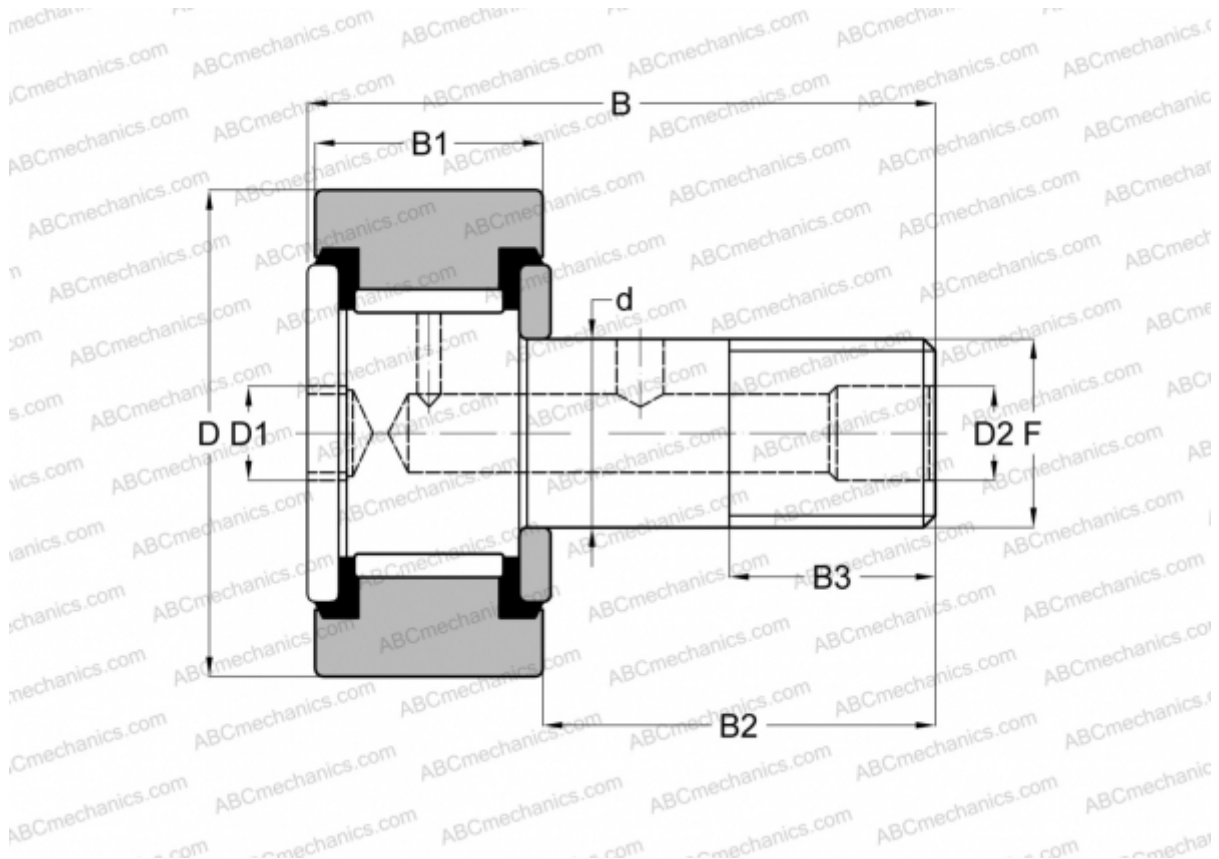


CR-5-XB SMITH BEARING

Cam followers

TYPE: Roller bearings, Stud type track rollers, Hex socket, contact seals on both side, cylindrical outer ring, inch size



Technical specification

DIMENSIONS, MM

| | |
|----|---------|
| d | 50,800 |
| D | 127,000 |
| D1 | 22,225 |
| D2 | 6,350 |
| B | 200,000 |
| B1 | 69,850 |
| B2 | 128,575 |
| B3 | 65,075 |
| F | 2-12 |

WEIGHT, KG 8,709

MANUFACTURER [SMITH BEARING](#)

INTERCHANGE

ABC [CRSB 80](#)

INTERCHANGE

| | |
|------------|--------------------------|
| McGill | CF-5-SB |
| RBC | S 160 LW |
| TORRINGTON | CRSB 80 |