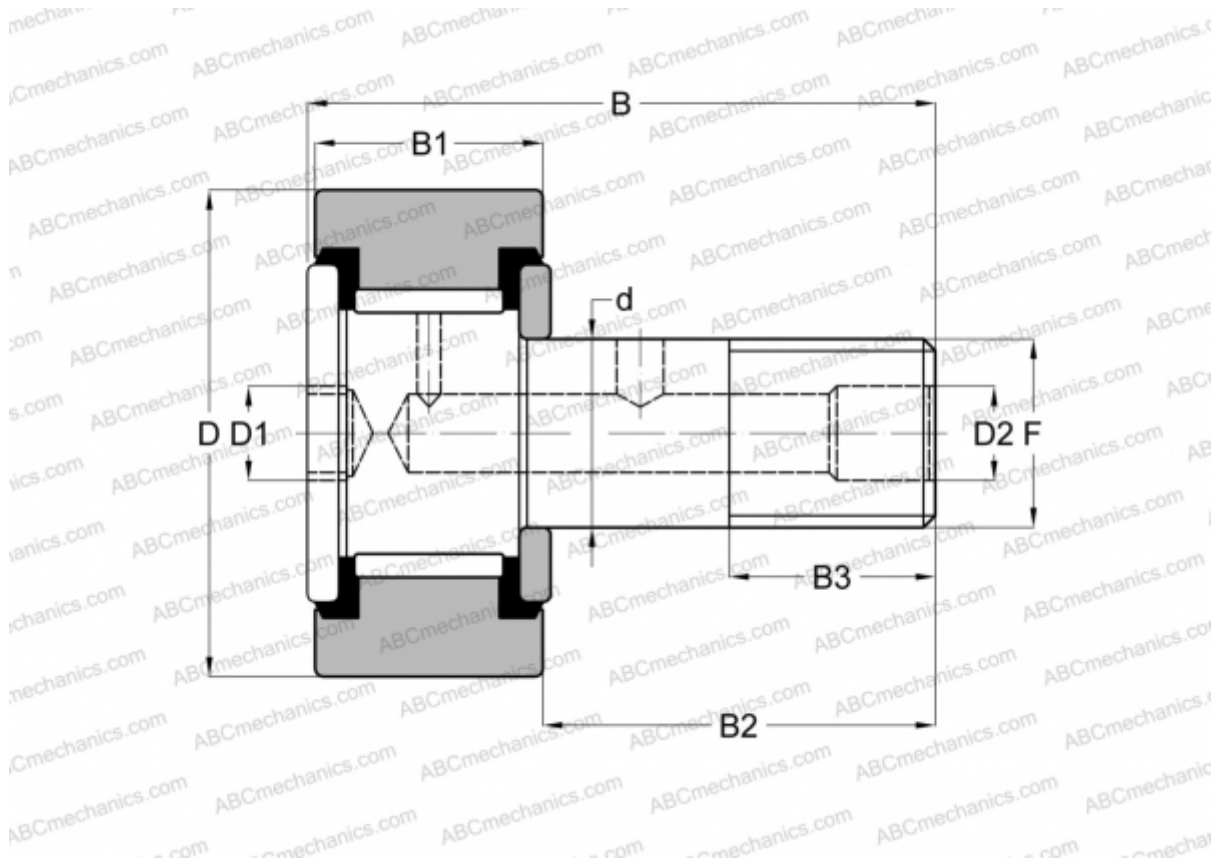


## CRSB 96 ABC

Cam followers

TYPE: Roller bearings, Stud type track rollers, Hex socket, contact seals on both side, cylindrical outer ring, inch size



### Technical specification

#### DIMENSIONS, MM

|    |          |
|----|----------|
| d  | 63,500   |
| D  | 152,400  |
| D1 | 25,400   |
| D2 | 6,350    |
| B  | 236,538  |
| B1 | 82,550   |
| B2 | 152,400  |
| B3 | 76,200   |
| F  | 2 1/2-12 |

**WEIGHT, KG** 15,059

**MANUFACTURER** [ABC](#)

#### INTERCHANGE

McGill [CF-6-SB](#)

#### INTERCHANGE

|               |                          |
|---------------|--------------------------|
| RBC           | <a href="#">S 192 LW</a> |
| SMITH BEARING | <a href="#">CR-6-XB</a>  |
| TORRINGTON    | <a href="#">CRSB 96</a>  |