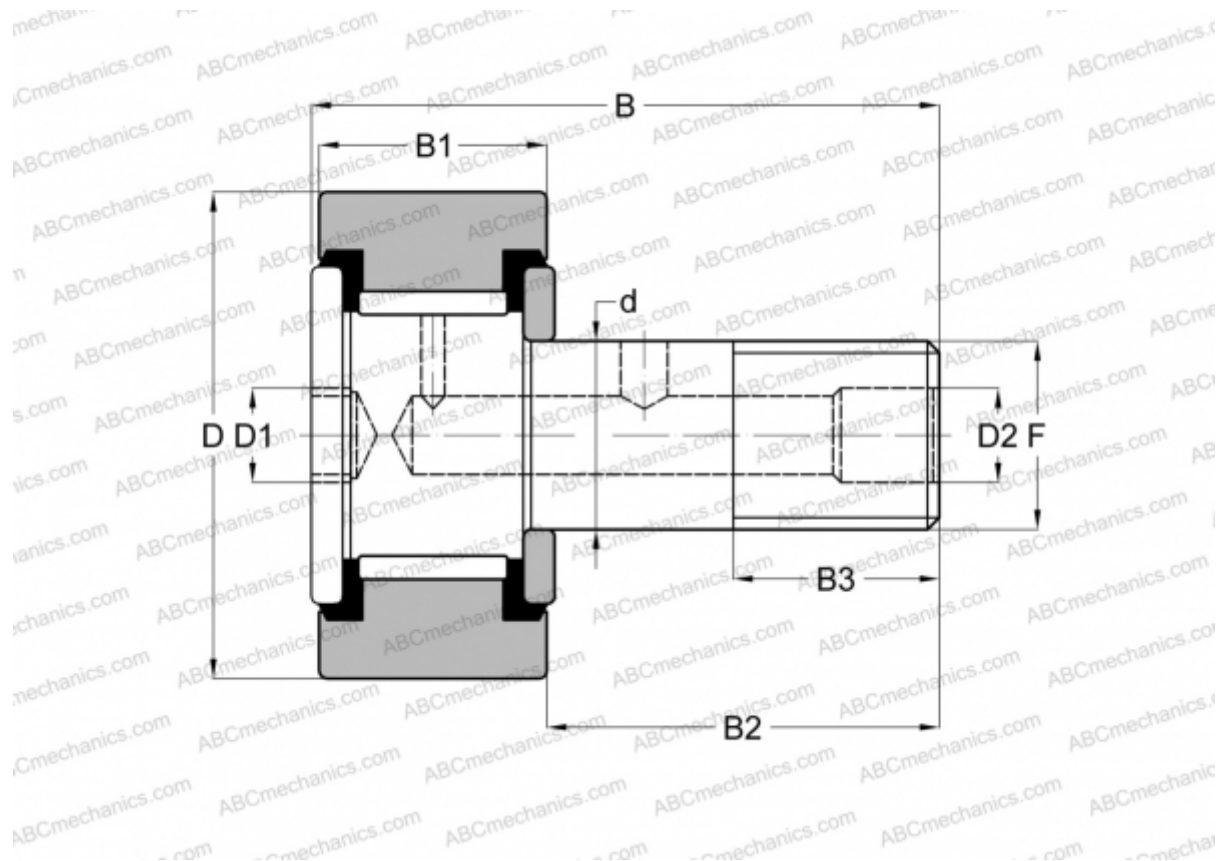


S 192 LW RBC

Cam followers

TYPE: Roller bearings, Stud type track rollers, Hex socket, contact seals on both side, cylindrical outer ring, inch size



Technical specification

DIMENSIONS, MM

d	63,500
D	152,400
D1	25,400
D2	6,350
B	236,538
B1	82,550
B2	152,400
B3	76,200
F	2 1/2-12

WEIGHT, KG 15,059

MANUFACTURER [RBC](#)

INTERCHANGE

ABC [CRSB 96](#)

INTERCHANGE

McGill	CF-6-SB
SMITH BEARING	CR-6-XB
TORRINGTON	CRSB 96