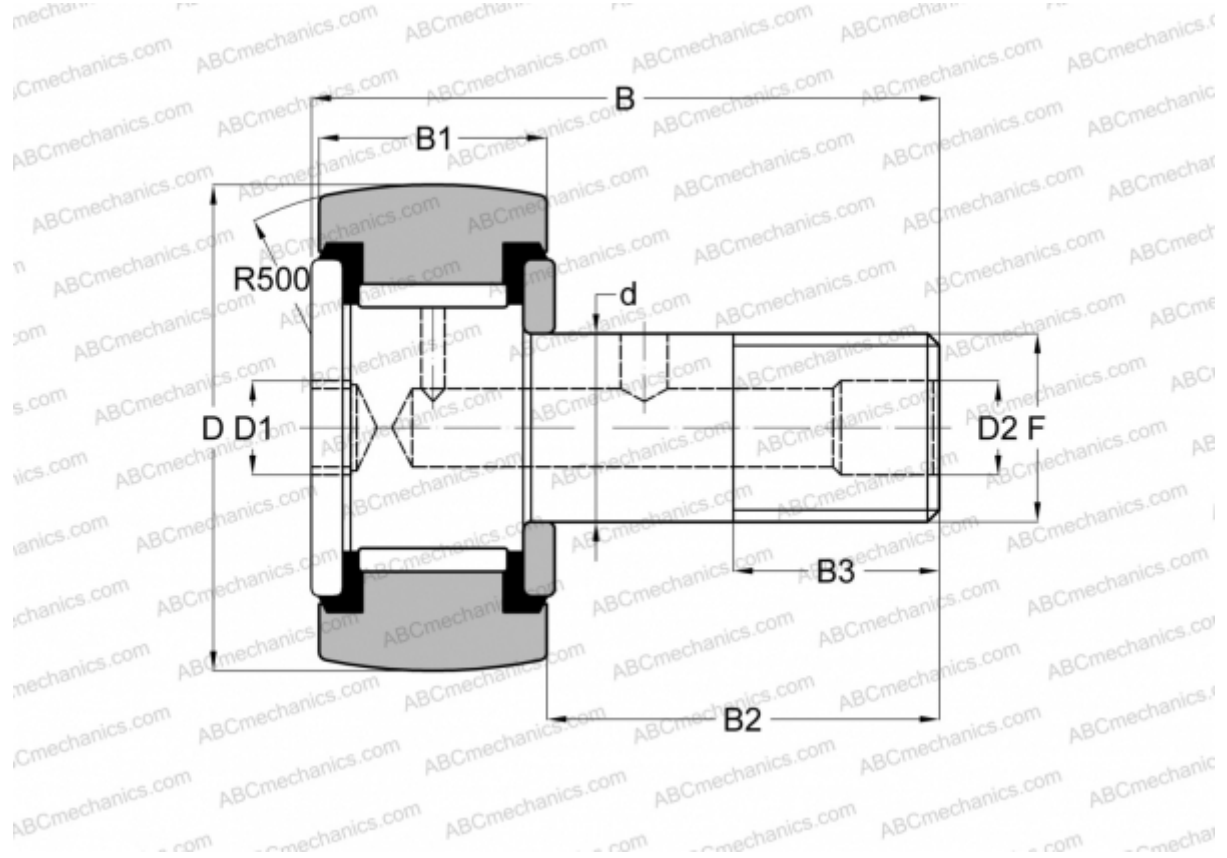


CRSBC 8-1 ABC

Cam followers

TYPE: Roller bearings, Stud type track rollers, Hex socket, contact seals on both side, inch size



Technical specification

DIMENSIONS, MM

d	4,826
D	12,700
D1	3,175
B	26,193
B1	9,525
B2	15,875
B3	6,350
F	10-32

WEIGHT, KG 0,014

MANUFACTURER [ABC](#)

INTERCHANGE

INA	CF 8-1 PPY
McGill	CCF- 1/2 -SB

INTERCHANGE

RBC	CS 16 LW
SMITH BEARING	CR- 1/2 -XBC
TORRINGTON	CRSBC 8-1