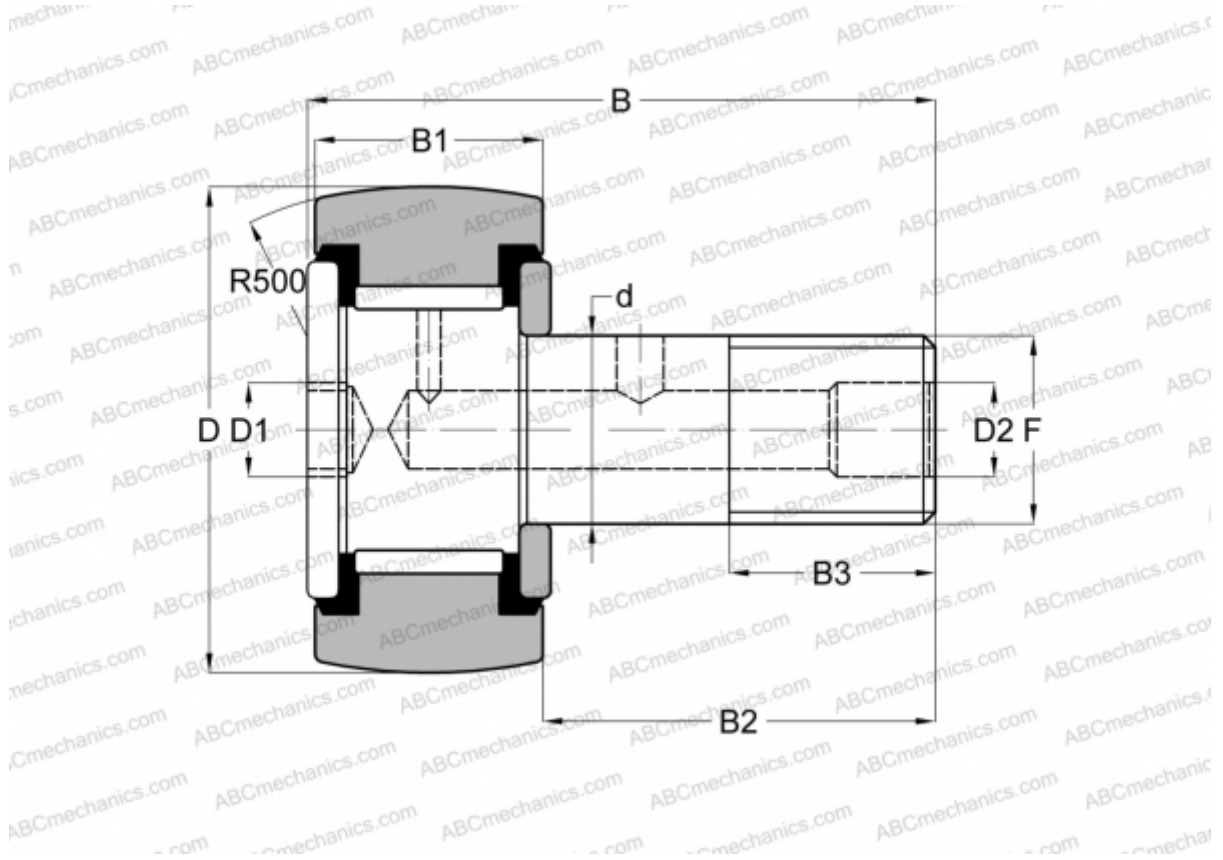


CS 20 LW RBC

Cam followers

TYPE: Roller bearings, Stud type track rollers, Hex socket, contact seals on both side, inch size



Technical specification

DIMENSIONS, MM

d	6,350
D	15,875
D1	3,175
B	30,980
B1	11,113
B2	19,050
B3	7,925
F	1/4-28

WEIGHT, KG 0,018

MANUFACTURER [RBC](#)

INTERCHANGE

ABC	CRSBC 10-1
INA	CF 10-1 PPY

INTERCHANGE

McGill	CCF- 5/8 -SB
SMITH BEARING	CR- 5/8 -XBC
TORRINGTON	CRSBC 10-1