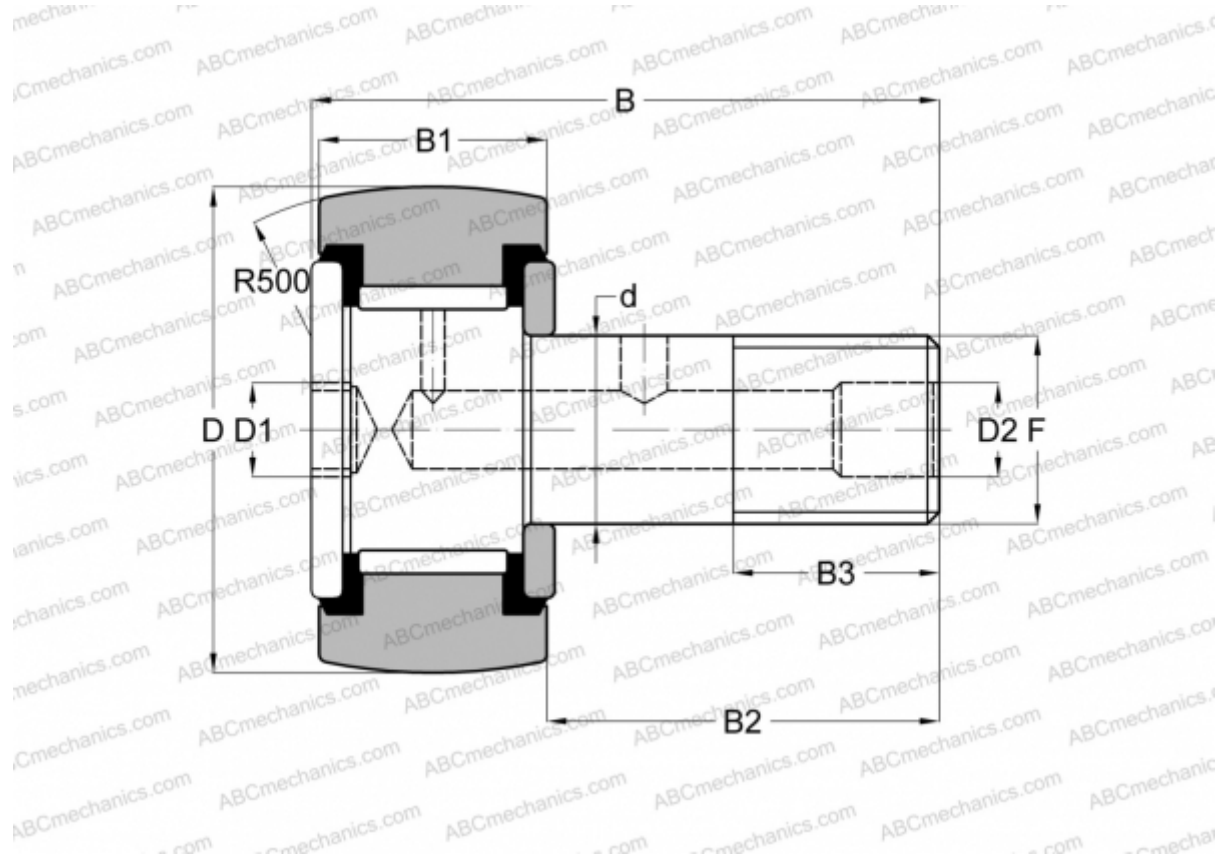


CCF- 3/4 -SB McGill

Cam followers

TYPE: Roller bearings, Stud type track rollers, Hex socket, contact seals on both side, inch size



Technical specification

DIMENSIONS, MM

| | |
|----|--------|
| d | 9,525 |
| D | 19,050 |
| D1 | 4,763 |
| D2 | 4,763 |
| B | 35,718 |
| B1 | 12,700 |
| B2 | 22,225 |
| B3 | 9,525 |
| F | 3/8-24 |

WEIGHT, KG 0,032

MANUFACTURER [McGill](#)

INTERCHANGE

ABC [CRSBC 12](#)

INTERCHANGE

| | |
|---------------|------------------------------|
| INA | CF 12 PPY |
| RBC | CS 24 LW |
| SMITH BEARING | CR- 3/4 -XBC |
| TORRINGTON | CRSBC 12 |