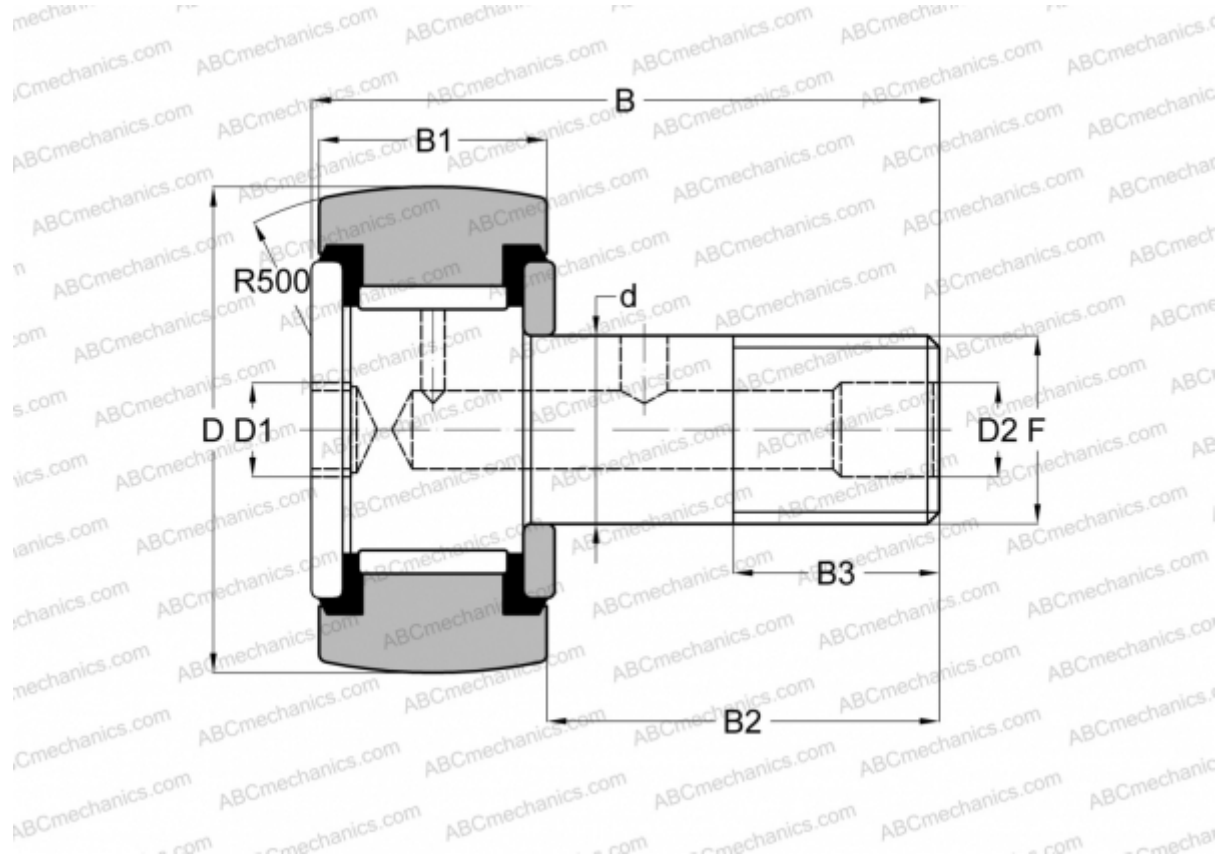


## CRSBC 16 TORRINGTON

Cam followers

TYPE: Roller bearings, Stud type track rollers, Hex socket, contact seals on both side, inch size



### Technical specification

#### DIMENSIONS, MM

d	11,113
D	25,400
D1	6,350
D2	4,763
B	42,068
B1	15,875
B2	25,400
B3	12,700
F	7/16-20

**WEIGHT, KG** 0,073

**MANUFACTURER** [TORRINGTON](#)

#### INTERCHANGE

ABC [CRSBC 16](#)

#### INTERCHANGE

INA	<a href="#">CF 16 PPY</a>
McGill	<a href="#">CCF-1-SB</a>
RBC	<a href="#">CS 32 LW</a>
SMITH BEARING	<a href="#">CR-1-XBC</a>