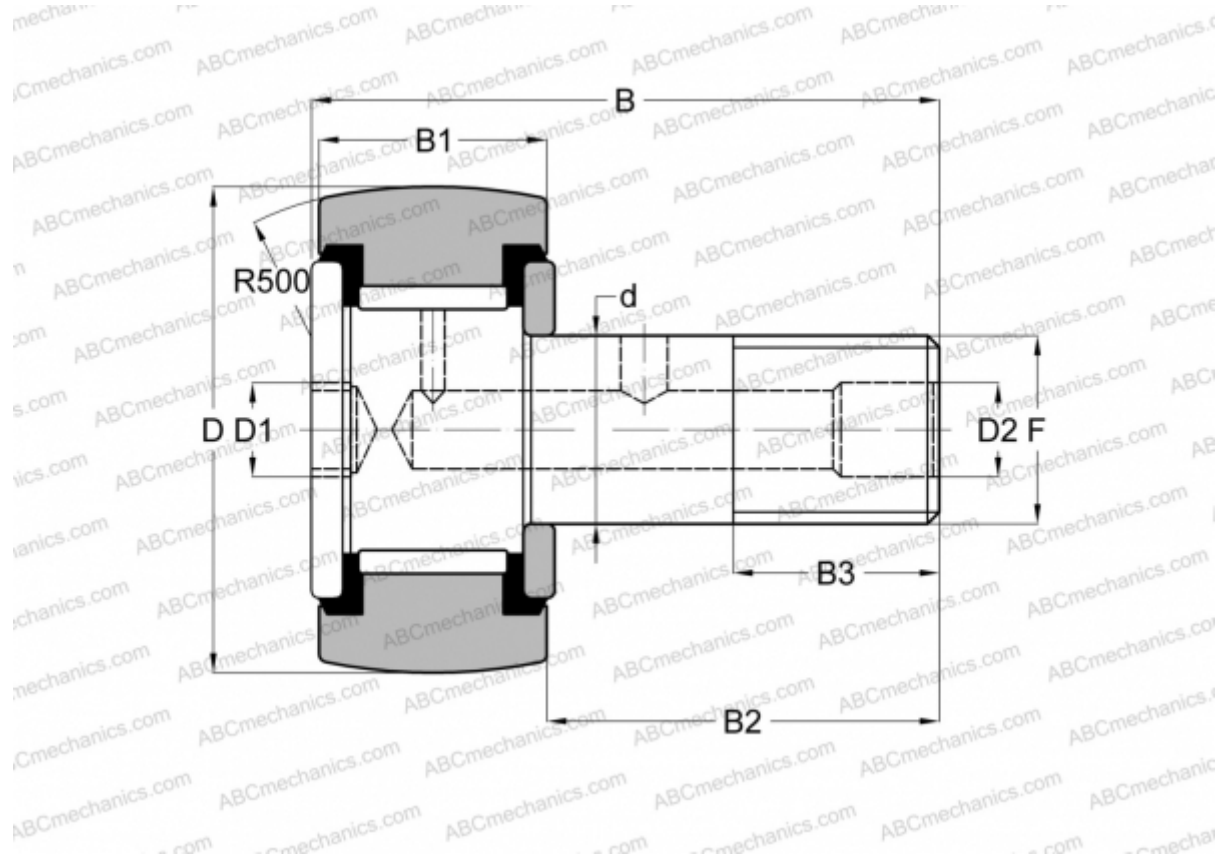


## CRSBC 18 TORRINGTON

Cam followers

TYPE: Roller bearings, Stud type track rollers, Hex socket, contact seals on both side, inch size



### Technical specification

#### DIMENSIONS, MM

d	11,113
D	28,575
D1	6,350
D2	4,763
B	42,068
B1	15,875
B2	25,400
B3	12,700
F	7/16-20

**WEIGHT, KG** 0,086

**MANUFACTURER** [TORRINGTON](#)

#### INTERCHANGE

ABC [CRSBC 18](#)

#### INTERCHANGE

INA	<a href="#">CF 18 PPY</a>
McGill	<a href="#">CCF-1 1/8 -SB</a>
RBC	<a href="#">CS 36 LW</a>
SMITH BEARING	<a href="#">CR-1 1/8 -XBC</a>