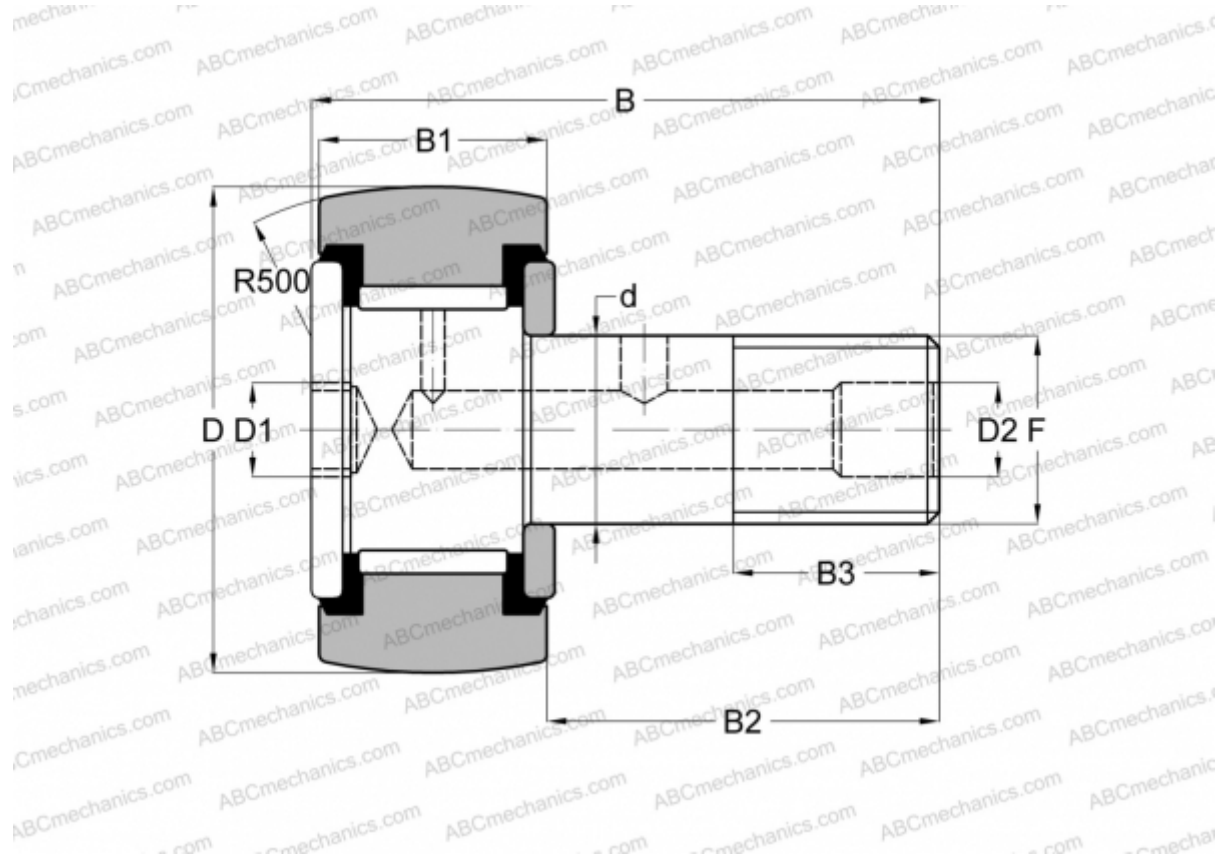


CRSBC 36 ABC

Cam followers

TYPE: Roller bearings, Stud type track rollers, Hex socket, contact seals on both side, inch size



Technical specification

DIMENSIONS, MM

d	22,225
D	57,150
D1	11,113
D2	4,763
B	83,343
B1	31,750
B2	50,800
B3	25,400
F	7/8-14

WEIGHT, KG 0,744

MANUFACTURER [ABC](#)

INTERCHANGE

INA	CF 36 PPY
-----	---------------------------

INTERCHANGE

McGill	CCF-2 1/4 -SB
RBC	CS 72 LW
SMITH BEARING	CR-2 1/4 -XBC
TORRINGTON	CRSBC 36