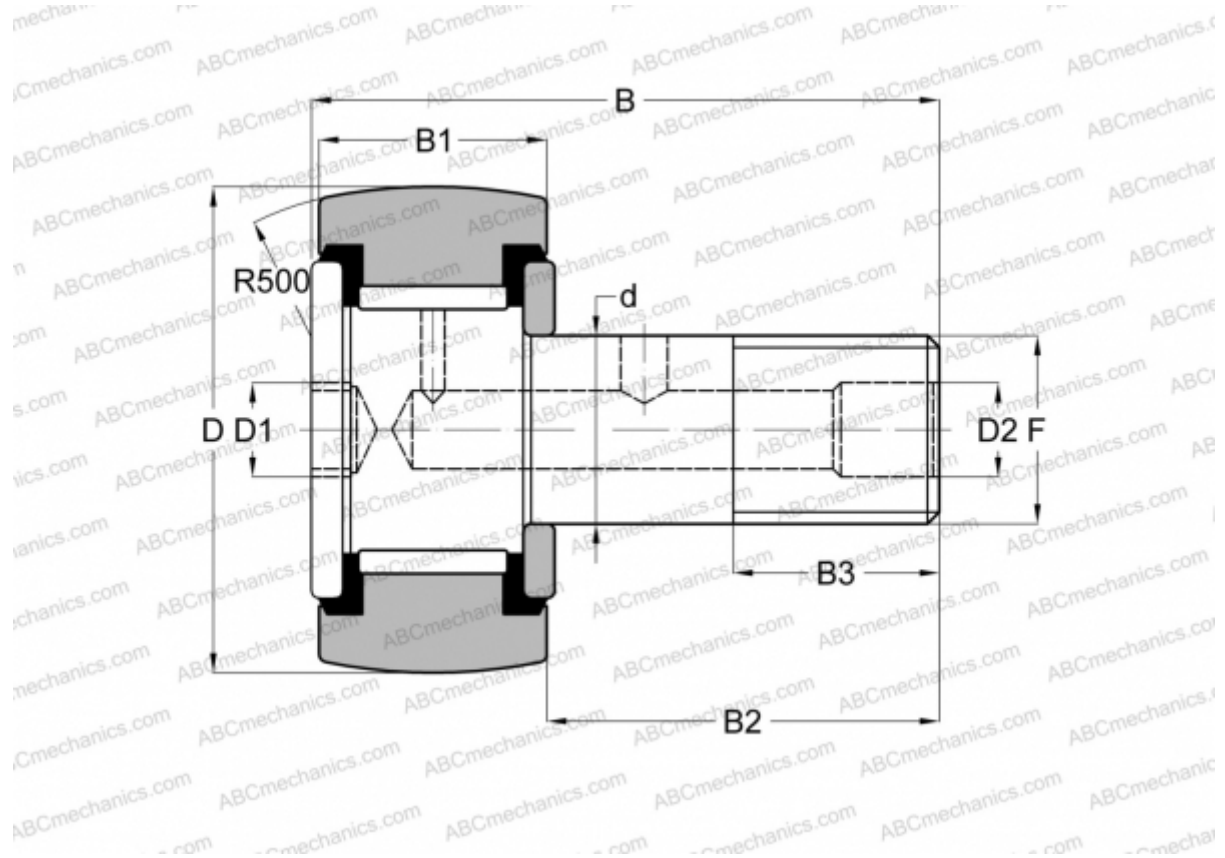


CRSBC 44 ABC

Cam followers

TYPE: Roller bearings, Stud type track rollers, Hex socket, contact seals on both side, inch size



Technical specification

DIMENSIONS, MM

d	25,400
D	69,850
D1	12,700
D2	4,763
B	96,043
B1	38,100
B2	57,150
B3	28,575
F	1-14

WEIGHT, KG 1,329

MANUFACTURER [ABC](#)

INTERCHANGE

INA [CF 44 PPY](#)

INTERCHANGE

McGill	CCF-2 3/4 -SB
RBC	CS 88 LW
SMITH BEARING	CR-2 3/4 -XBC
TORRINGTON	CRSBC 44