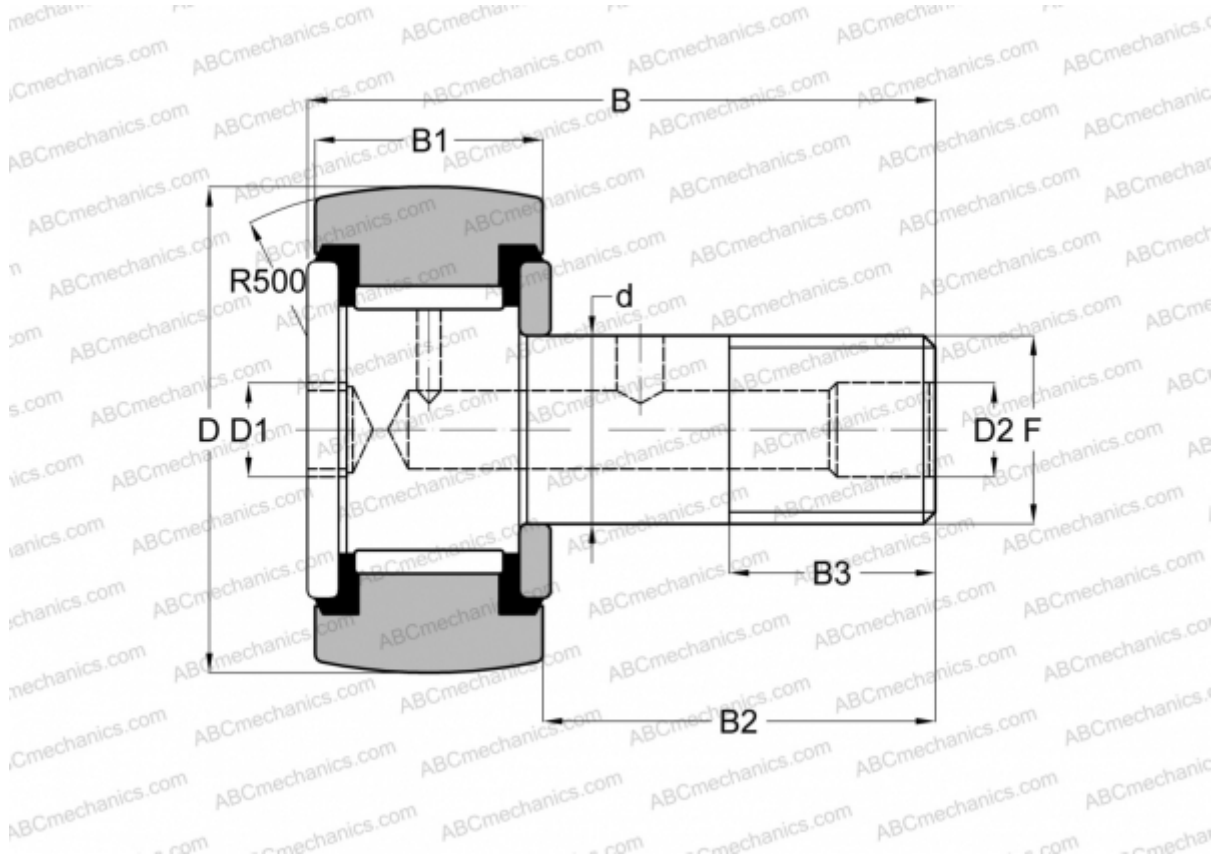


## CS 88 LW RBC

Cam followers

TYPE: Roller bearings, Stud type track rollers, Hex socket, contact seals on both side, inch size



### Technical specification

#### DIMENSIONS, MM

d	25,400
D	69,850
D1	12,700
D2	4,763
B	96,043
B1	38,100
B2	57,150
B3	28,575
F	1-14

**WEIGHT, KG** 1,329

**MANUFACTURER** [RBC](#)

#### INTERCHANGE

ABC [CRSBC 44](#)

#### INTERCHANGE

INA	<a href="#">CF 44 PPY</a>
McGill	<a href="#">CCF-2 3/4 -SB</a>
SMITH BEARING	<a href="#">CR-2 3/4 -XBC</a>
TORRINGTON	<a href="#">CRSBC 44</a>