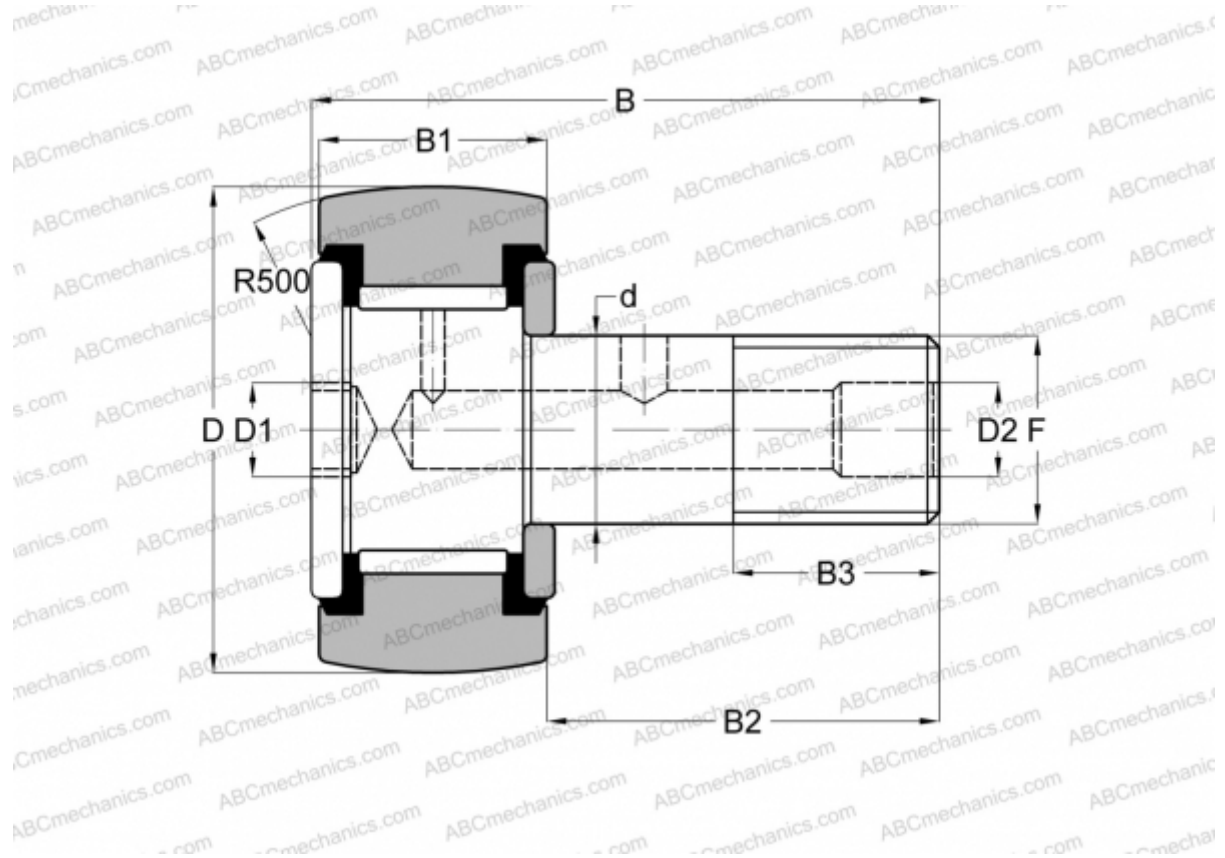


CS 96 LW RBC

Cam followers

TYPE: Roller bearings, Stud type track rollers, Hex socket, contact seals on both side, inch size



Technical specification

DIMENSIONS, MM

d	31,750
D	76,200
D1	15,875
D2	6,350
B	108,742
B1	44,450
B2	63,500
B3	31,750
F	1 1/4-12

WEIGHT, KG 1,932

MANUFACTURER [RBC](#)

INTERCHANGE

ABC [CRSBC 48](#)

INTERCHANGE

INA	CF 48 PPY
McGill	CCF-3-SB
SMITH BEARING	CR-3-XBC
TORRINGTON	CRSBC 48