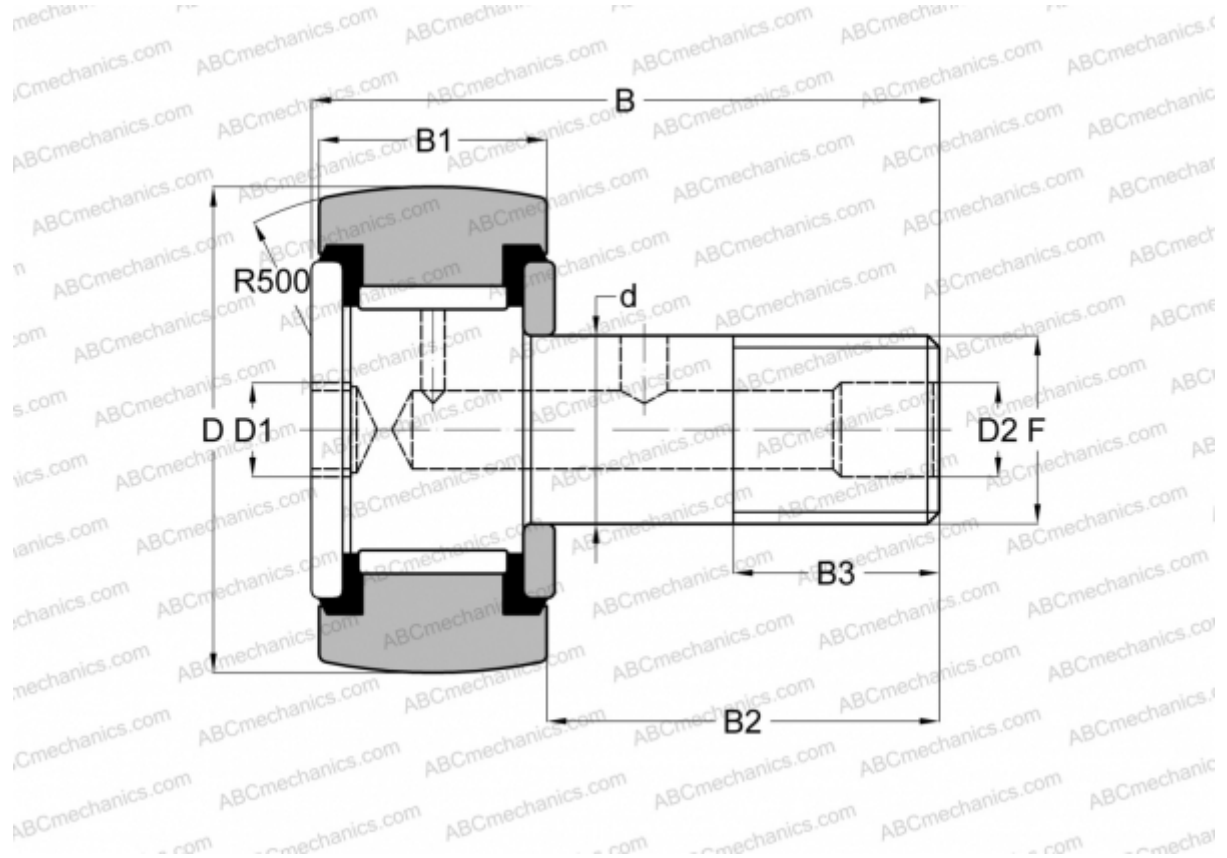


CRSBC 80 ABC

Cam followers

TYPE: Roller bearings, Stud type track rollers, Hex socket, contact seals on both side, inch size



Technical specification

DIMENSIONS, MM

d	50,800
D	127,000
D1	22,225
D2	6,350
B	200,000
B1	69,850
B2	128,575
B3	65,075
F	2-12

WEIGHT, KG 8,709

MANUFACTURER [ABC](#)

INTERCHANGE

McGill [CCF-5-SB](#)

INTERCHANGE

RBC	CS 160 LW
SMITH BEARING	CR-5-XBC
TORRINGTON	CRSBC 80